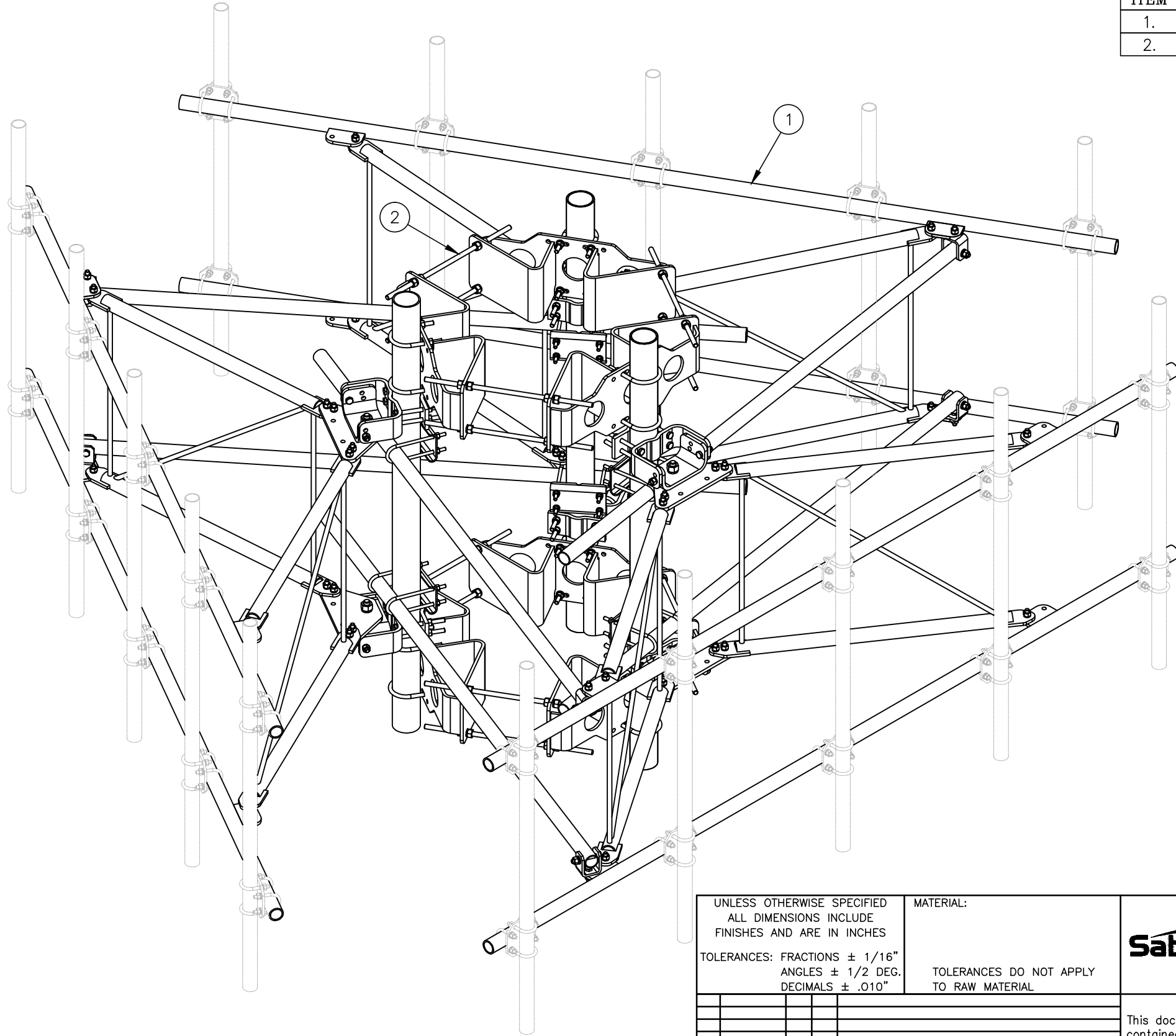




C10857804 12' EHD V-BOOM ASSEMBLIES W/TIEBACKS

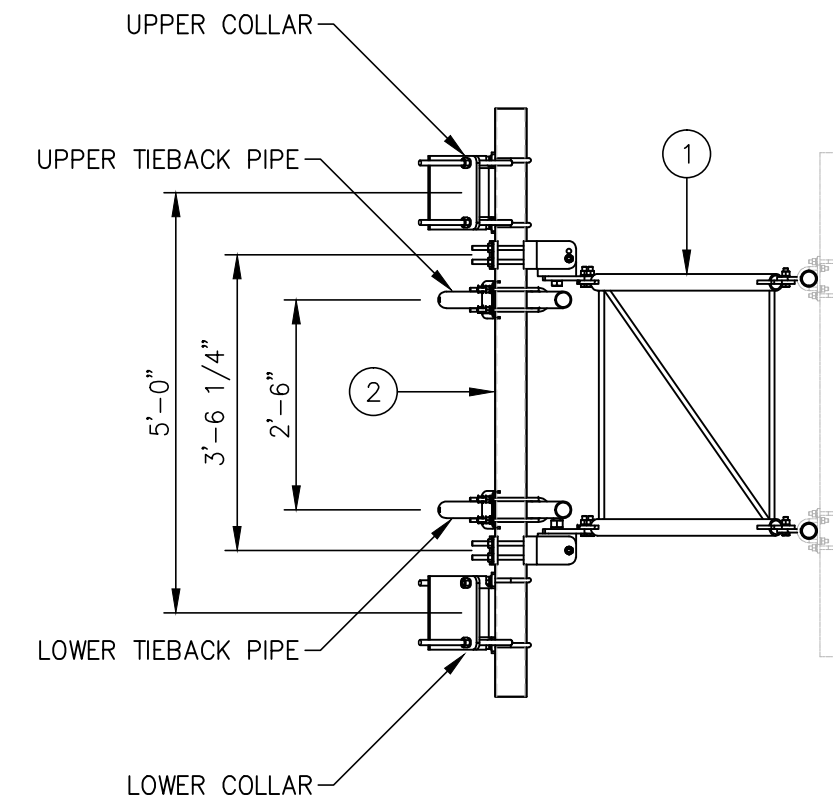
ITEM	QTY.	PART NO.	DESCRIPTION	WEIGHT
1.	3	C10857007C	12' EHD V-BOOM ASSEMBLY W/TIE BACKS	1533
2.	1	C10899055	4 1/2" O.D. MONOPOLE PIPE MOUNT ASSEMBLY	994
			TOTAL WEIGHT	2527



ISOMETRIC VIEW

NOTES:

1. MOUNTING PIPES & CROSSOVER PLATE KITS MUST BE PURCHASED SEPARATELY.
2. SEE DRAWING C10857007C FOR 12' V-BOOM ASSEMBLY.
3. SEE DRAWING C10899055 FOR 4 1/2" O.D. MONOPOLE PIPE MOUNT ASSEMBLY.



VIEW A-A  
FROM PAGE 2

UNLESS OTHERWISE SPECIFIED  
ALL DIMENSIONS INCLUDE  
FINISHES AND ARE IN INCHES  
  
TOLERANCES: FRACTIONS  $\pm 1/16"$   
ANGLES  $\pm 1/2$  DEG.  
DECIMALS  $\pm .010"$

MATERIAL:  
  
TOLERANCES DO NOT APPLY  
TO RAW MATERIAL

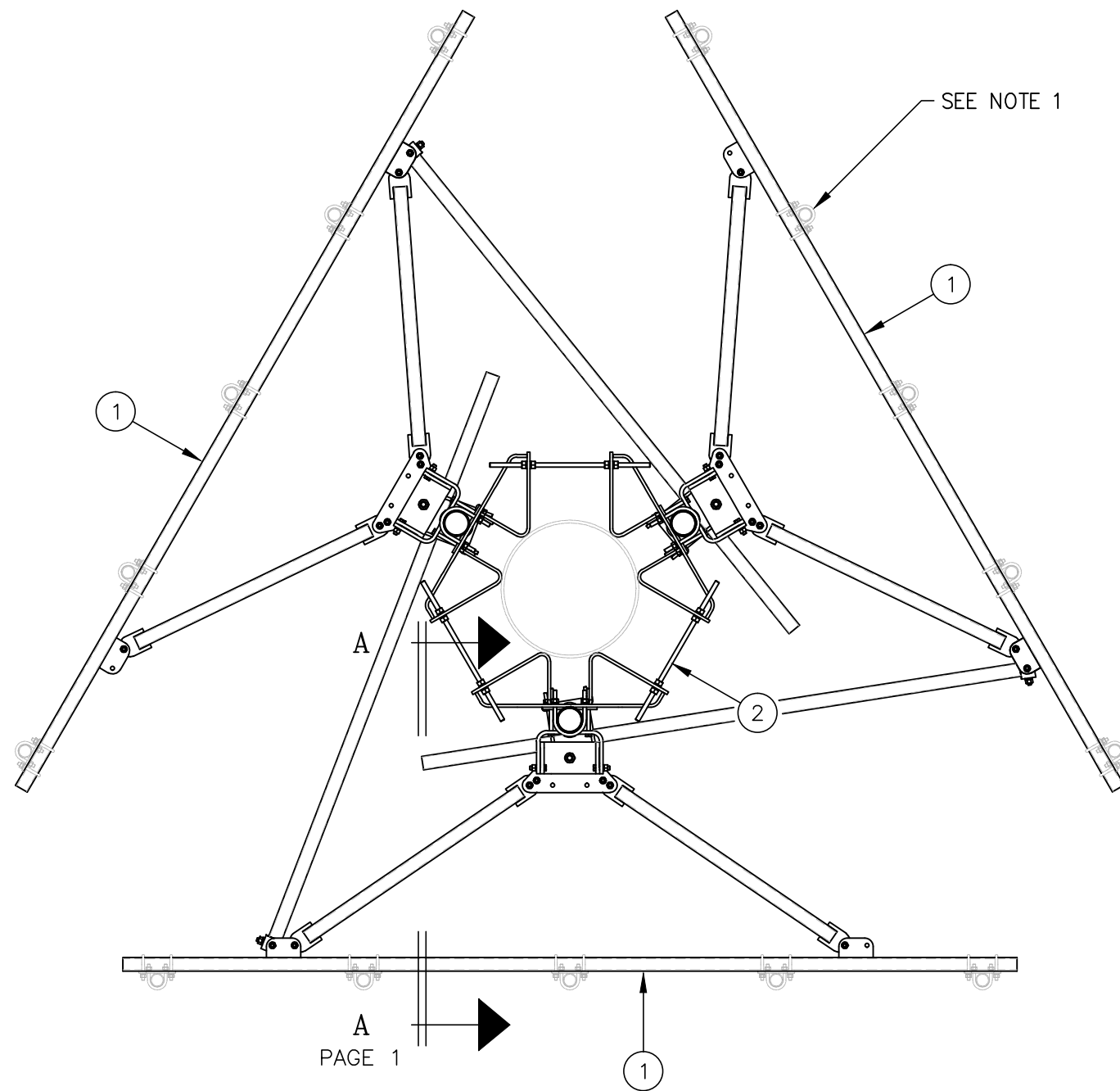


12' EHD V-BOOM ASSEMBLIES W/TIEBACKS  
(3' STANDOFF)  
ON MONOPOLE PIPE MOUNT ASSEMBLY  
W/NO ANTENNA MOUNTING PIPES

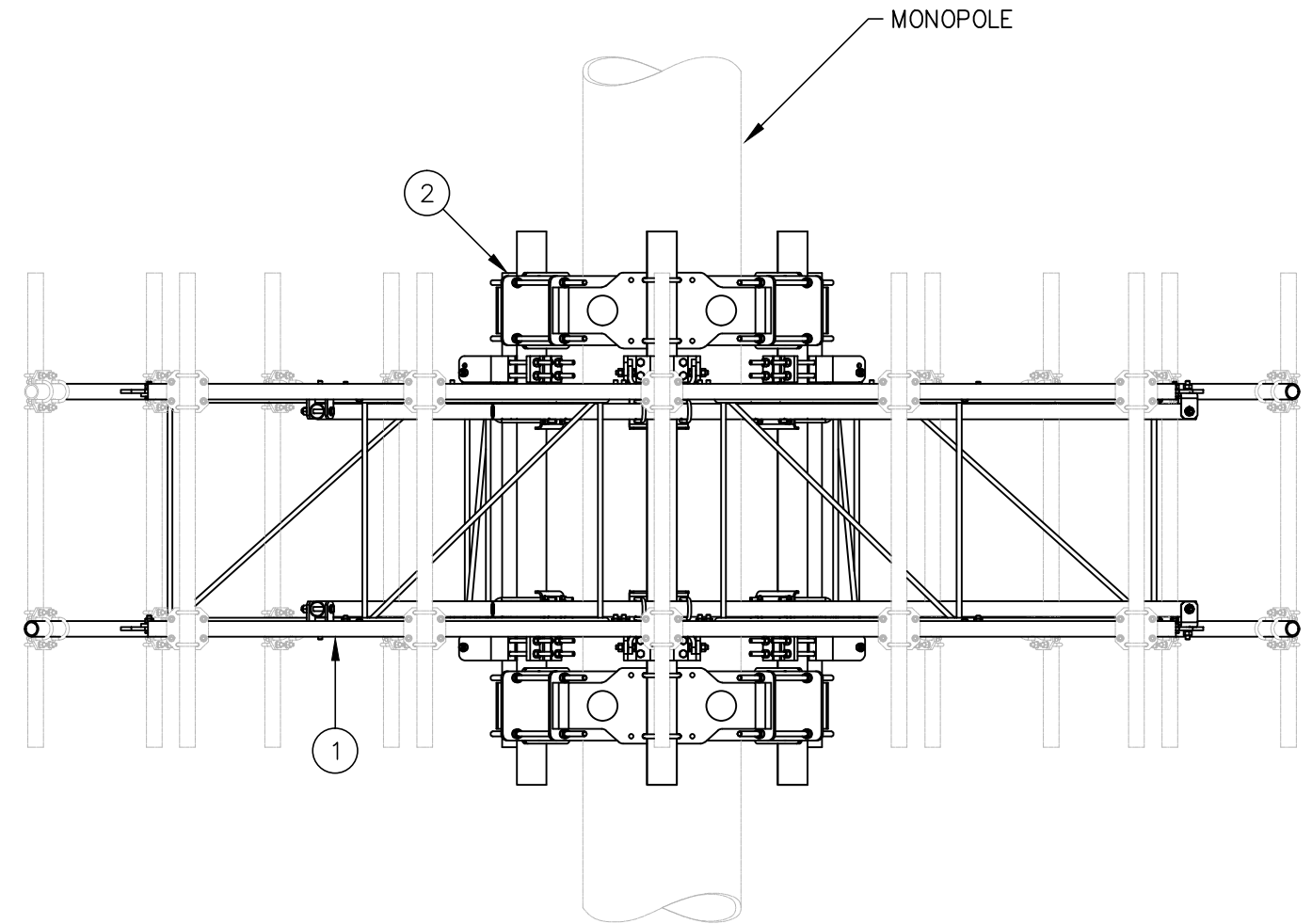
REV	DATE	DRW	CHK	DESCRIPTION

**CONFIDENTIAL**  
This document and the information contained herein is the confidential trade secret property of Sabre Communications Corporation ("Sabre") and must not be reproduced, copied or used, in whole or in part, for any purpose without the prior written consent of Sabre.  
© 2018 Sabre Communications Corporation. All rights reserved.

DATE	9/24/18	SIZE	B	DRAWING NO.	C10857804	REV	0
DRAWN BY	WRF			SCALE	None	PAGE	
CHECKED BY	WMN					1 OF 2	



PLAN VIEW



ELEVATION VIEW

A  
PAGE 1

UNLESS OTHERWISE SPECIFIED  
ALL DIMENSIONS INCLUDE  
FINISHES AND ARE IN INCHES  
TOLERANCES: FRACTIONS  $\pm 1/16"$   
ANGLES  $\pm 1/2$  DEG.  
DECIMALS  $\pm .010"$

MATERIAL:  
TOLERANCES DO NOT APPLY  
TO RAW MATERIAL



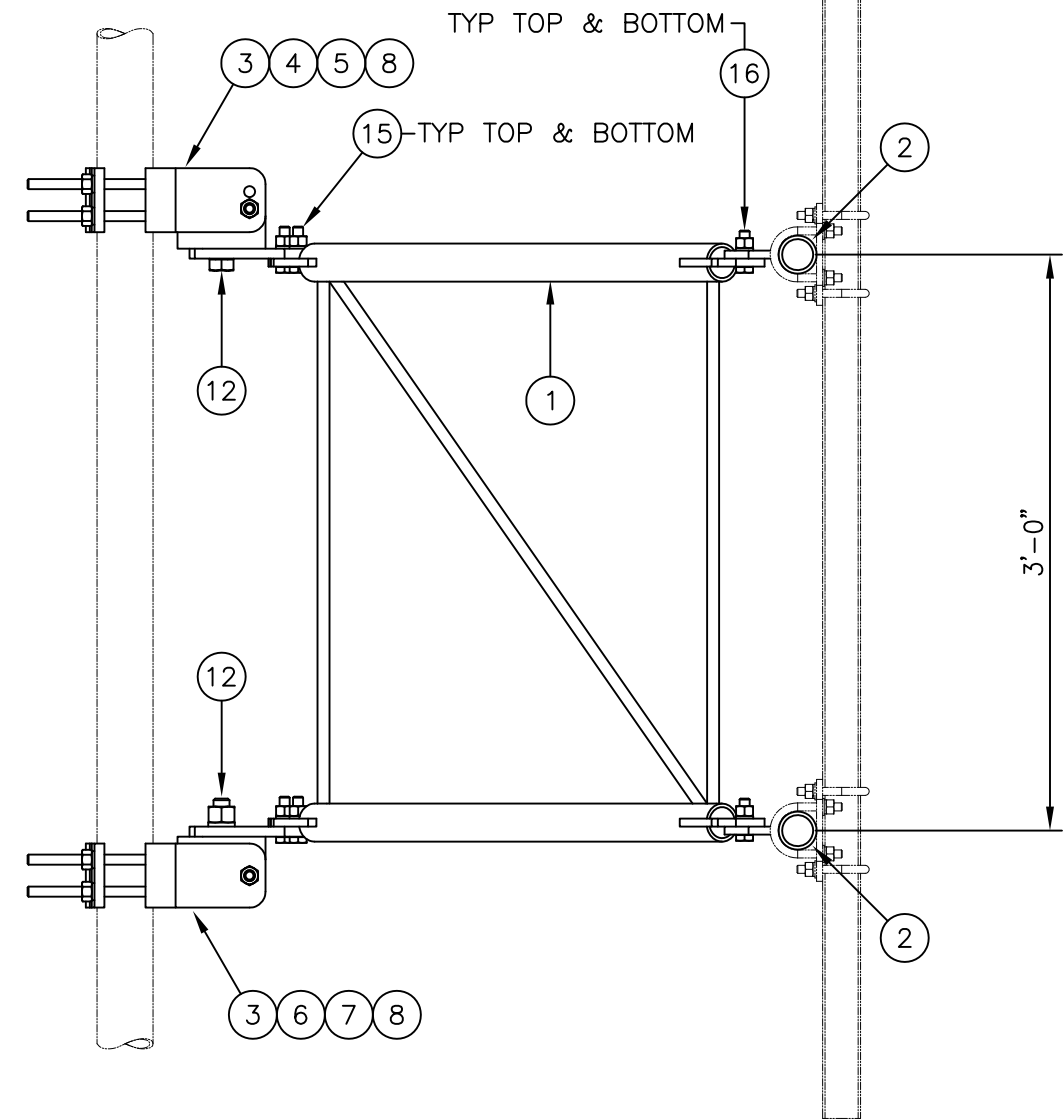
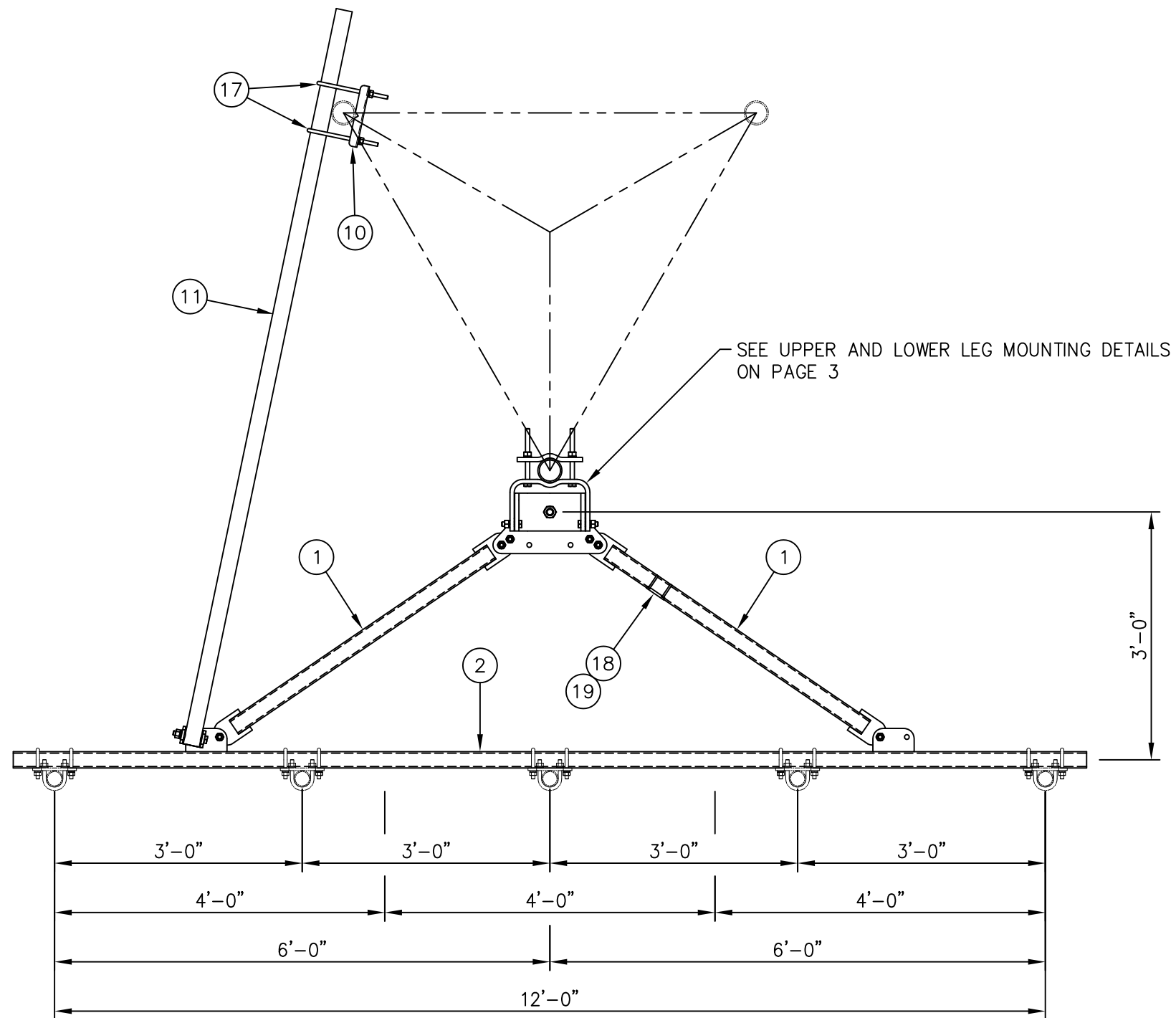
12' EHD V-BOOM ASSEMBLIES W/TIEBACKS  
(3' STANDOFF)  
ON MONOPOLE PIPE MOUNT ASSEMBLY  
W/NO ANTENNA MOUNTING PIPES

REV	DATE	DRW	CHK	DESCRIPTION

**CONFIDENTIAL**  
This document and the information  
contained herein is the confidential trade  
secret property of Sabre Communications  
Corporation ("Sabre") and must not be  
reproduced, copied or used, in whole or in  
part, for any purpose without the prior  
written consent of Sabre.  
© 2018 Sabre Communications Corporation.  
All rights reserved.

DATE	09/24/18	SIZE	B	DRAWING NO.	C10857804	REV	0
DRAWN BY	WRF	CHECKED BY	WMN	SCALE	None	PAGE	2 OF 2





SIDE VIEW

**MOUNTING OPTIONS**  
SHOWING MOUNTING PIPE PLACEMENTS

UNLESS OTHERWISE SPECIFIED  
ALL DIMENSIONS INCLUDE  
FINISHES AND ARE IN INCHES  
TOLERANCES: FRACTIONS  $\pm 1/16"$   
ANGLES  $\pm 1/2$  DEG.  
DECIMALS  $\pm .010"$

MATERIAL:  
TOLERANCES DO NOT APPLY  
TO RAW MATERIAL

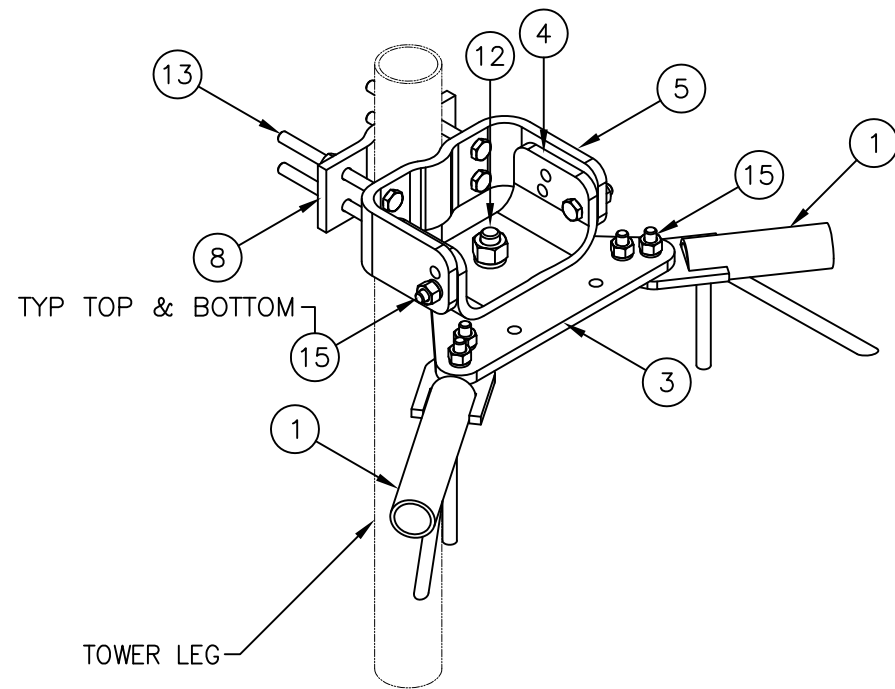


**CONFIDENTIAL**  
This document and the information  
contained herein is the confidential trade  
secret property of Sabre Communications  
Corporation ("Sabre") and must not be  
reproduced, copied or used, in whole or in  
part, for any purpose without the prior  
written consent of Sabre.  
© 2016 Sabre Communications Corporation.  
All rights reserved.

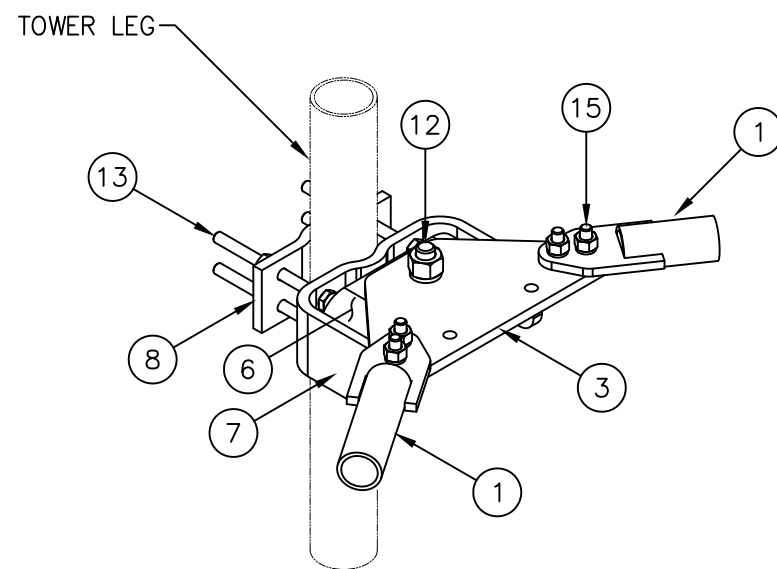
12' EHD V-BOOM ASSEMBLY W/TIEBACKS  
(3' STANDOFF)  
W/NO ANTENNA MOUNTING PIPES

REV	DATE	DRW	CHK	DESCRIPTION
1	10/19/16	KLE	DEL	ADDED INSTALLATION NOTES

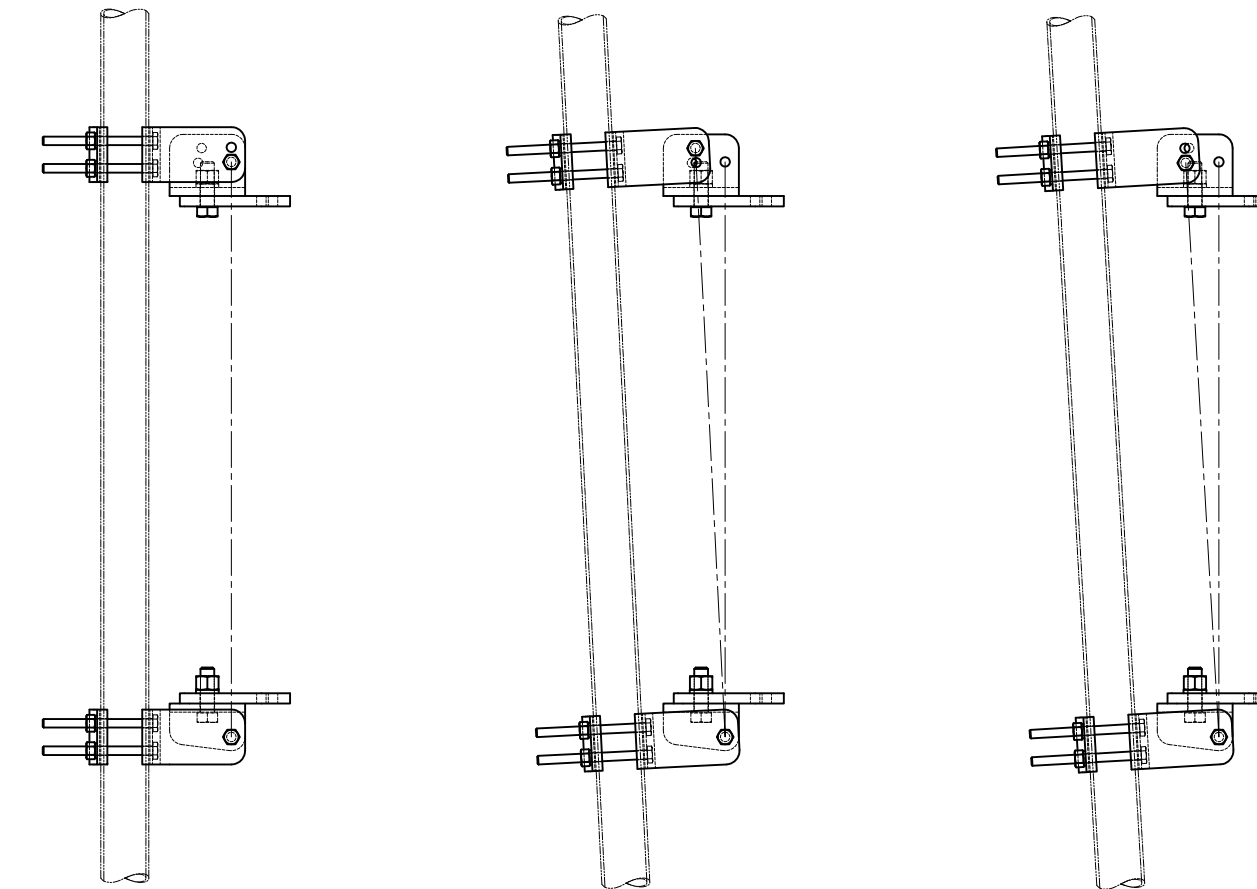
DATE	02/29/16	SIZE	B	DRAWING NO.	C10857007C	REV	1
DRAWN BY	WRF	SCALE	None	PAGE	2 OF 3		
CHECKED BY	KLE						



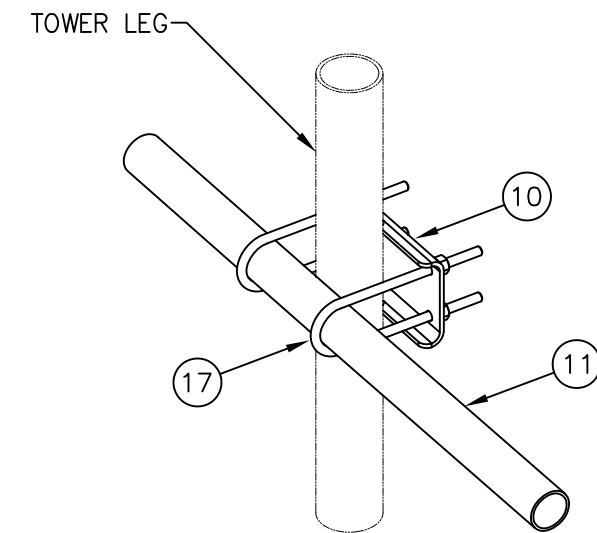
UPPER LEG MOUNTING DETAIL



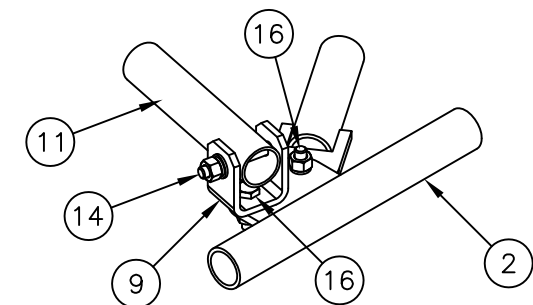
LOWER LEG MOUNTING DETAIL



-----PIVOTING OPTIONS-----



TIE BACK DETAIL  
AT TOWER LEG



TIE BACK DETAIL  
AT ANTENNA MOUNTING FRAME

UNLESS OTHERWISE SPECIFIED  
ALL DIMENSIONS INCLUDE  
FINISHES AND ARE IN INCHES  
TOLERANCES: FRACTIONS  $\pm 1/16"$   
ANGLES  $\pm 1/2$  DEG.  
DECIMALS  $\pm .010"$

MATERIAL:  
  
TOLERANCES DO NOT APPLY  
TO RAW MATERIAL



**CONFIDENTIAL**  
This document and the information  
contained herein is the confidential trade  
secret property of Sabre Communications  
Corporation ("Sabre") and must not be  
reproduced, copied or used, in whole or in  
part, for any purpose without the prior  
written consent of Sabre.  
© 2016 Sabre Communications Corporation.  
All rights reserved.

12' EHD V-BOOM ASSEMBLY W/TIEBACKS  
(3' STANDOFF)  
W/NO ANTENNA MOUNTING PIPES

REV	DATE	DRW	CHK	DESCRIPTION
1	10/19/16	KLE	DEL	ADDED INSTALLATION NOTES

DATE	02/29/16	SIZE	B	DRAWING NO.	C10857007C	REV	1
DRAWN BY	WRF	CHECKED BY	KLE	SCALE	None	PAGE	3 OF 3

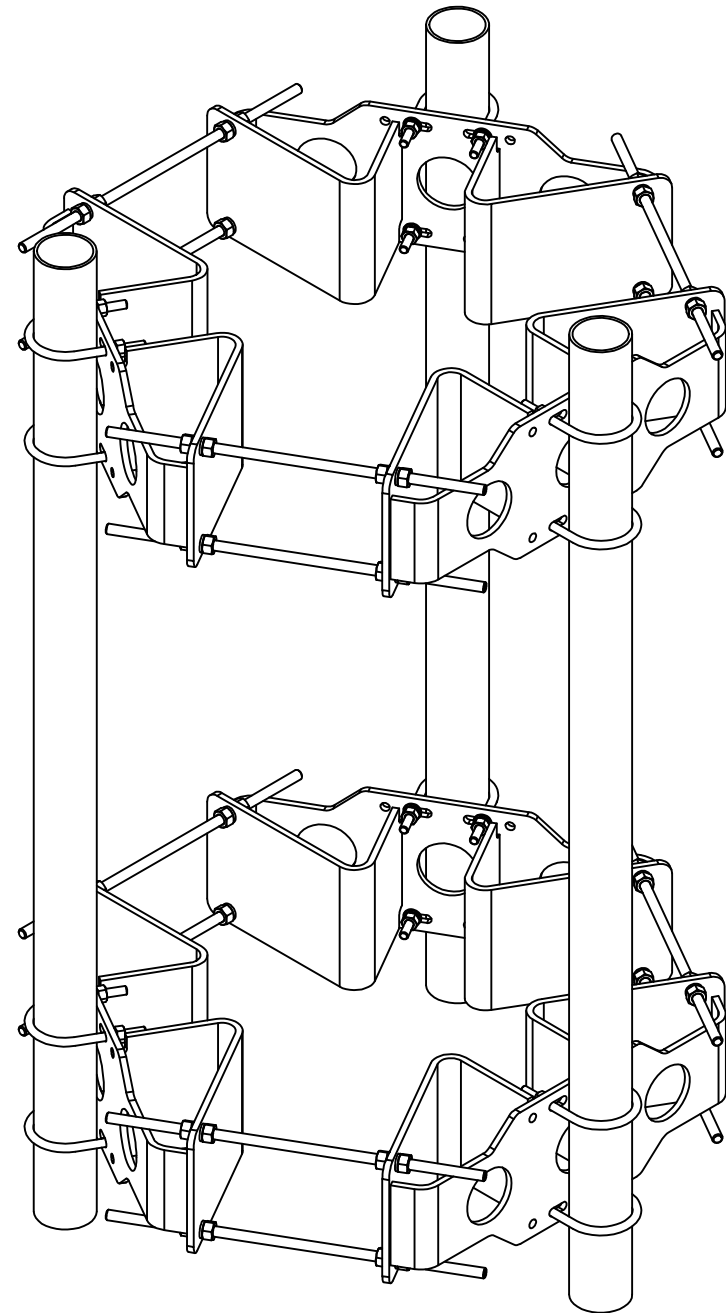


**NOTE:**

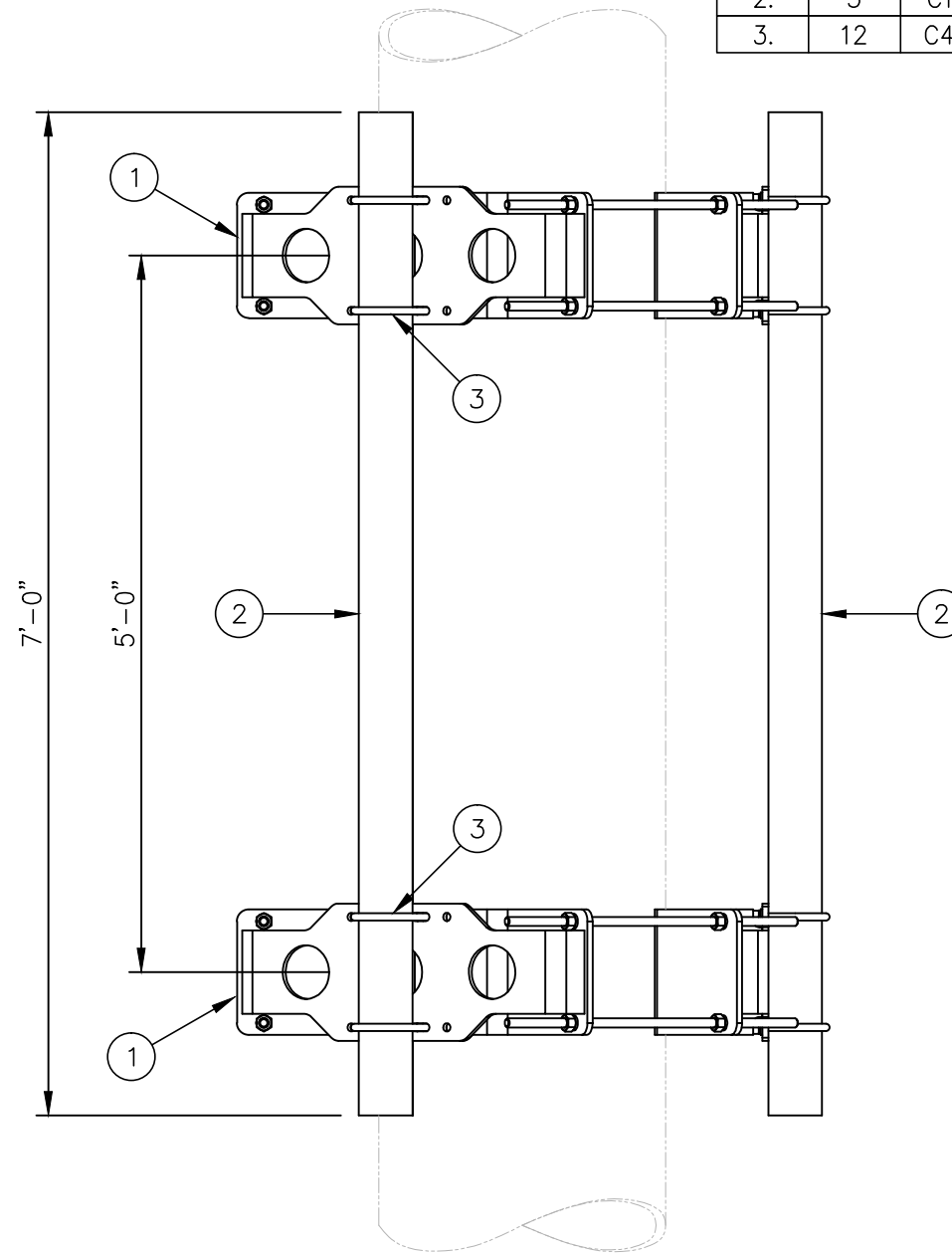
SEE DRAWING C10112378 FOR INSTALLATION OF TRI-COLLAR BRACKET ASSEMBLY

**C10899055 4 1/2" O.D. PIPE MOUNT ASSEMBLY**

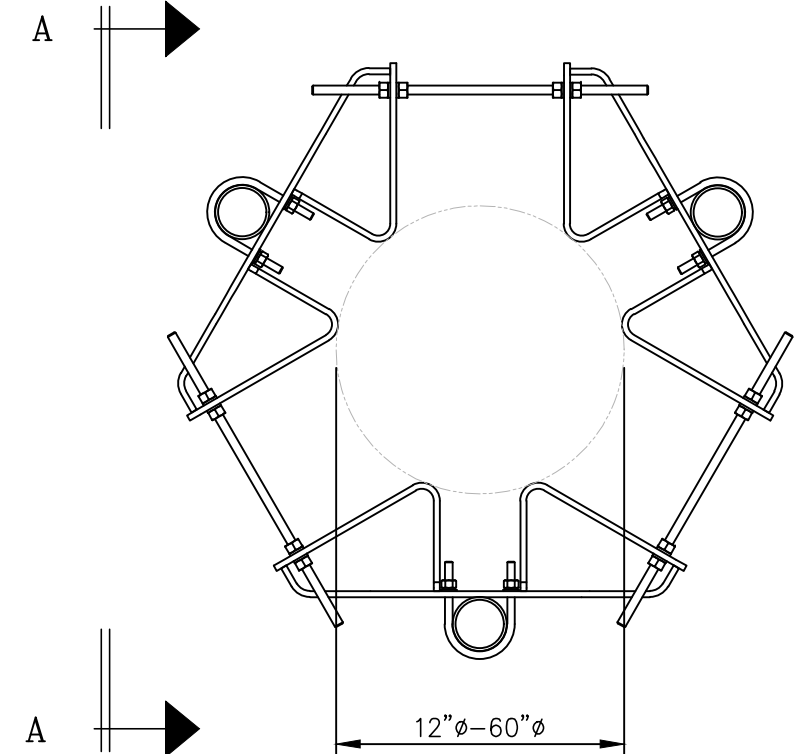
ITEM	QTY.	PART NO.	DESCRIPTION	WEIGHT
1.	2	C10112378	TRI-COLLAR BRACKET ASSEMBLY	732
2.	3	C10901407	PIPE, 4 1/2 O.D. X .237 X 7'-0	236
3.	12	C40034032	U-BOLT ASSEMBLY, 5/8 $\phi$ X 5 3/16 C-C	26
TOTAL WEIGHT				994



**ISOMETRIC VIEW**



**VIEW A-A**



**PLAN VIEW**

UNLESS OTHERWISE SPECIFIED  
ALL DIMENSIONS INCLUDE  
FINISHES AND ARE IN INCHES  
  
TOLERANCES: FRACTIONS  $\pm 1/16"$   
ANGLES  $\pm 1/2$  DEG.  
DECIMALS  $\pm .010"$

MATERIAL:  
  
TOLERANCES DO NOT APPLY  
TO RAW MATERIAL



**4 1/2" O.D. PIPE MOUNT ASSEMBLY  
FOR MONOPOLES  
(FITS 12" TO 60" DIAMETER)**

REV	DATE	DRW	CHK	DESCRIPTION
1	02/03/17	WRF	KLE	COLLAR WAS C10112301

**CONFIDENTIAL**  
This document and the information contained herein is the confidential trade secret property of Sabre Communications Corporation ("Sabre") and must not be reproduced, copied or used, in whole or in part, for any purpose without the prior written consent of Sabre.  
© 2016 Sabre Communications Corporation. All rights reserved.

DATE	01/26/16	SIZE	B	DRAWING NO.	C10899055	REV	1
DRAWN BY	WRF	CHECKED BY	DLW	SCALE	None	PAGE	1 OF 1