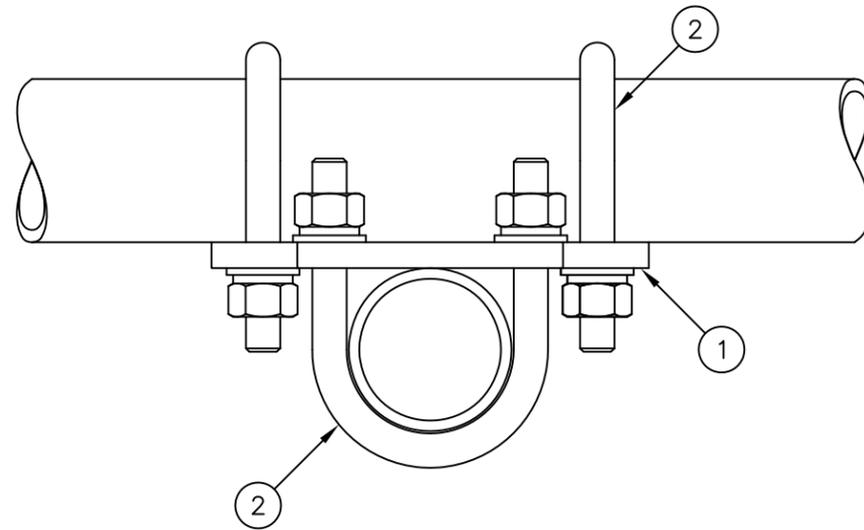




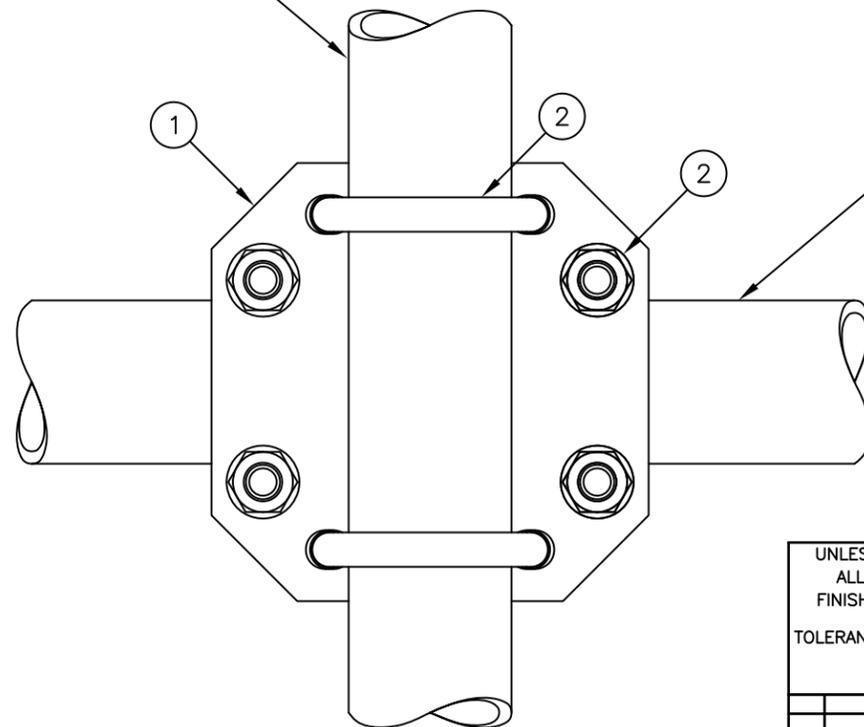
C10902011 CROSSOVER PLATE KIT

ITEM	QTY.	PART NO.	DESCRIPTION	WEIGHT
1.	1	CS03115	CROSSOVER PLATE	4
2.	4	C40034139	U-BOLT ASSEMBLY, 1/2" ϕ X 2 15/16" C-C	3
TOTAL WEIGHT				7



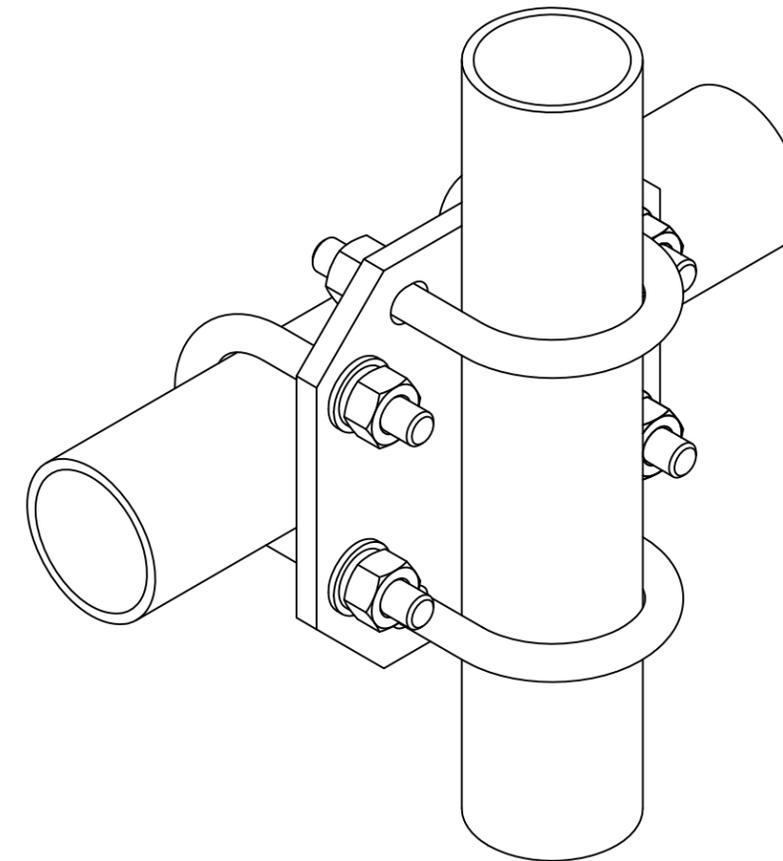
TOP VIEW

2 3/8" ϕ PIPE



FRONT VIEW

2 3/8" ϕ PIPE



ISOMETRIC VIEW

UNLESS OTHERWISE SPECIFIED
ALL DIMENSIONS INCLUDE
FINISHES AND ARE IN INCHES
TOLERANCES: FRACTIONS $\pm 1/16"$
ANGLES $\pm 1/2$ DEG.
DECIMALS $\pm .010"$

MATERIAL:
TOLERANCES DO NOT APPLY
TO RAW MATERIAL



CONFIDENTIAL
This document and the information
contained herein is the confidential trade
secret property of Sabre Communications
Corporation ("Sabre") and must not be
reproduced, copied or used, in whole or in
part, for any purpose without the prior
written consent of Sabre.
© 2014 Sabre Communications Corporation.
All rights reserved.

CROSSOVER PLATE KIT
2 3/8" ϕ TO 2 3/8" ϕ PIPES
(1/2" ϕ U-BOLTS)

REV	DATE	DRW/CHK	DESCRIPTION

DATE	06/26/14	SIZE	B	DRAWING NO.	C10902011	REV	0
DRAWN BY	WRF	SCALE		PAGE		None	
CHECKED BY	KLE	None		1 OF 1		None	