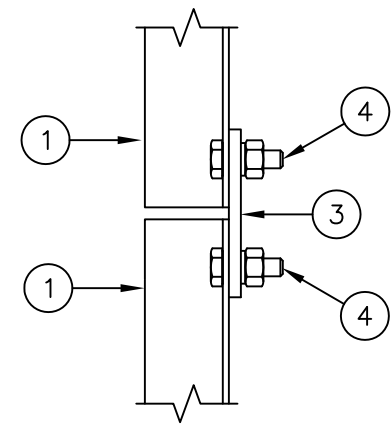
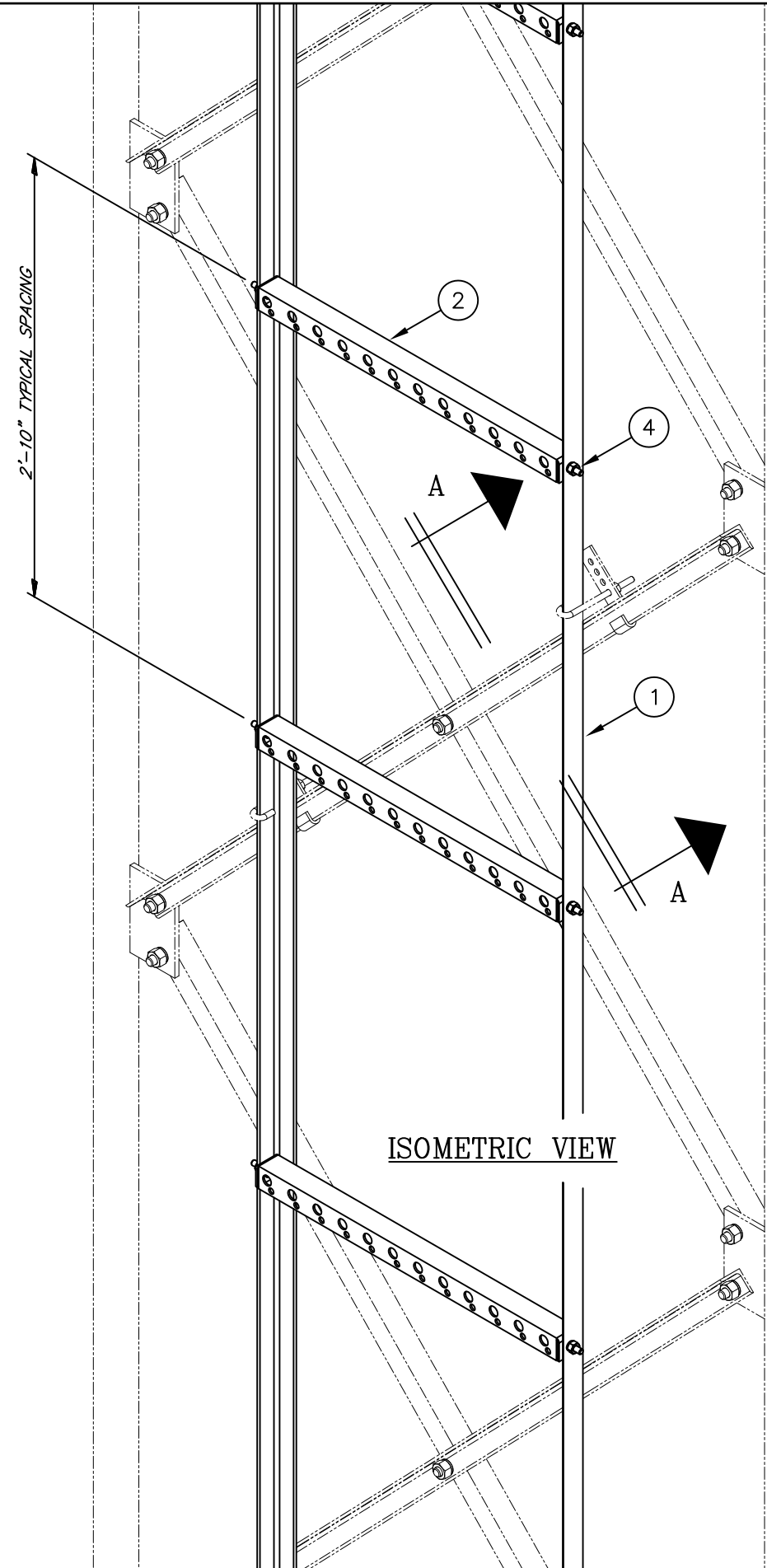




C20128021 12 HOLE WAVEGUIDE LADDER ASSEMBLY

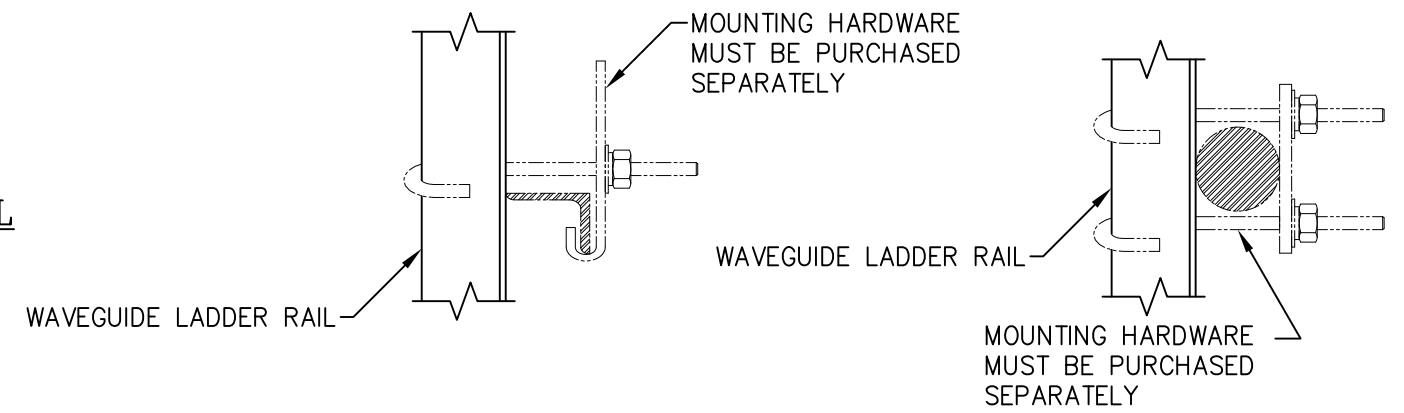
| ITEM | QTY. | PART NO. | DESCRIPTION | WEIGHT |
|--------------|------|-----------|------------------------------------|--------|
| 1. | 2 | CS00331 | WAVEGUIDE LADDER RAIL, 20'-0" | 60 |
| 2. | 7 | CS00151 | WAVEGUIDE LADDER RUNG, 12 HOLE | 27 |
| 3. | 2 | CS00037 | SPLICE PLATE | 1 |
| 4. | 18 | C40024004 | BOLT ASSEMBLY, 3/8 X 1 1/2 GRADE 5 | 2 |
| TOTAL WEIGHT | | | | 90 |



SPLICE DETAIL

NOTE:

MAXIMUM SPACING OF LADDER CLIPS UP THE TOWER TO BE 10'-0".



SECTION A-A
(MOUNTING OPTION 1)
(FOR ANGLE BRACES 1 1/2" TO 6")

SECTION A-A
(MOUNTING OPTION 2)
(FOR ROUND BRACES 3/4" TO 1 1/2" O.D.)

UNLESS OTHERWISE SPECIFIED
ALL DIMENSIONS INCLUDE
FINISHES AND ARE IN INCHES

TOLERANCES: FRACTIONS $\pm 1/16"$
ANGLES $\pm 1/2$ DEG.
DECIMALS $\pm .010"$

MATERIAL:

TOLERANCES DO NOT APPLY
TO RAW MATERIAL



CONFIDENTIAL

This document and the information contained herein is the confidential trade secret property of Sabre Communications Corporation ("Sabre") and must not be reproduced, copied or used, in whole or in part, for any purpose without the prior written consent of Sabre.

© 2006 Sabre Communications Corporation. All rights reserved.

20'-0" WAVEGUIDE LADDER
12 HOLE RUNG

| REV | DATE | DRW | CHK | DESCRIPTION |
|-----|----------|-----|-----|-----------------------|
| 2 | 1/4/07 | MLC | MC | REVISED QTY OF ITEM 4 |
| 1 | 06/26/06 | WRF | WMN | ADDED ISOMETRIC VIEW |

| | | | | | | | |
|----------|----------|------------|-----|-------------|-----------|------|--------|
| DATE | 03/17/03 | SIZE | B | DRAWING NO. | C20128021 | REV | 2 |
| DRAWN BY | CE | CHECKED BY | DLW | SCALE | None | PAGE | 1 OF 1 |