

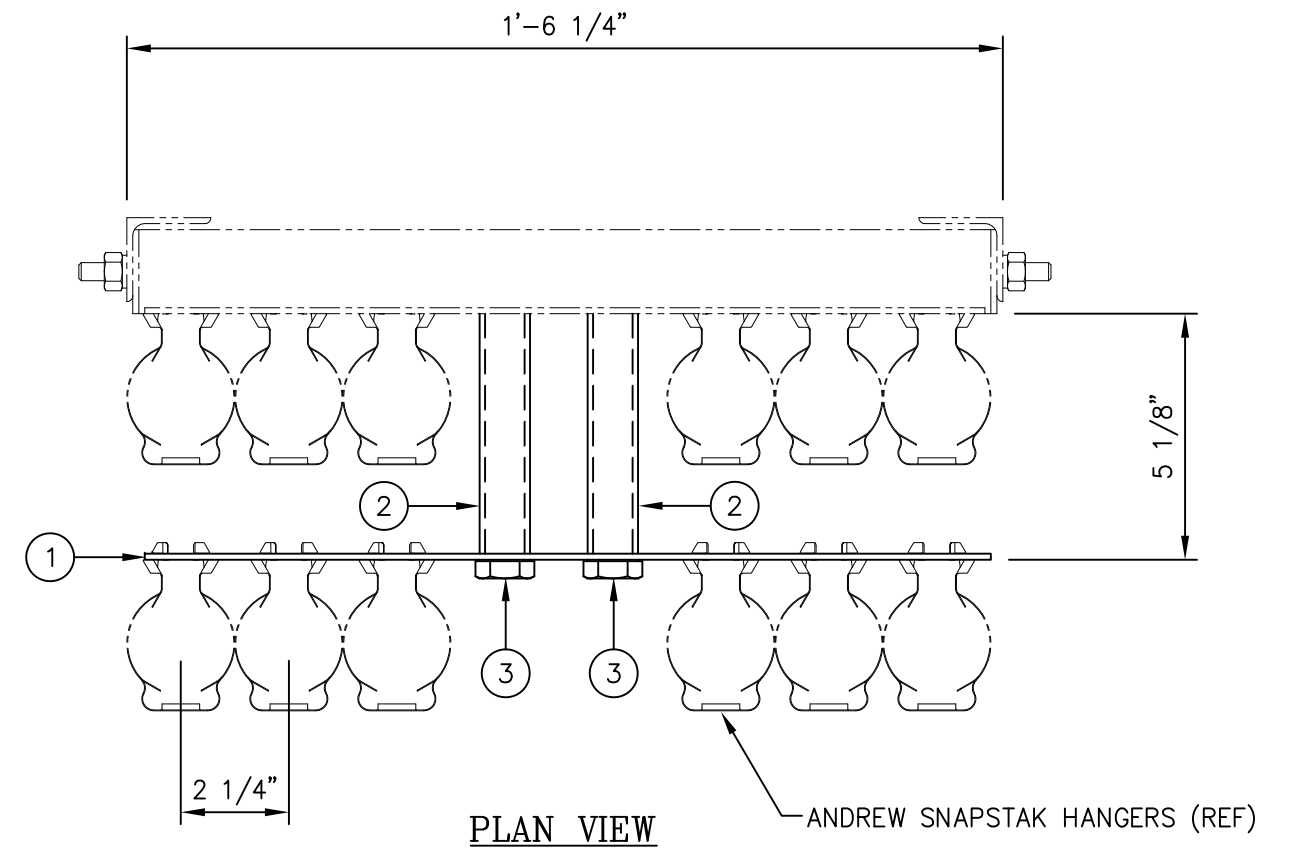
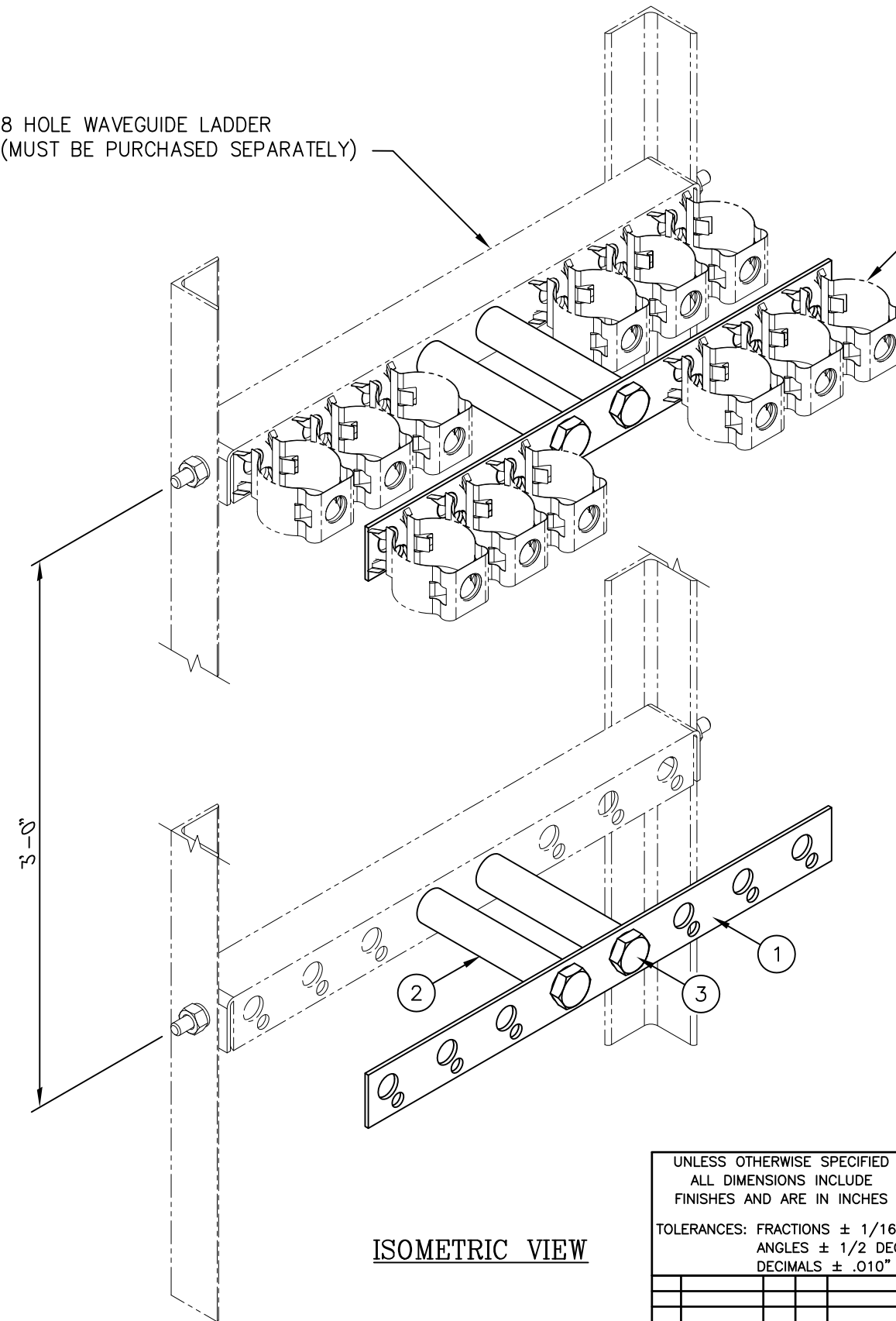


C20129009 6 ON 6 STACKER KIT (4 RUNGS)

ITEM	QTY.	PART NO.	DESCRIPTION	WEIGHT
1.	4	CS00152	8 HOLE WAVEGUIDE LADDER STACKER PLATE	5
2.	8	CS00154	PIPE, SPACER 3/4 ϕ NOM. (SCH. 40) X 0'-5	4
3.	8	C40026038	BOLT ASSEMBLY, 5/8 ϕ X 6 1/2 A325	9
TOTAL WEIGHT				18

8 HOLE WAVEGUIDE LADDER
(MUST BE PURCHASED SEPARATELY)

STANDOFF CAN SUPPORT AN
ADDITIONAL SIX LINES PER LADDER



FIELD NOTE:

THIS WAVEGUIDE STANDOFF ASSEMBLY IS NOT TO BE USED AS A CLIMBING APPARATUS.

ISOMETRIC VIEW

UNLESS OTHERWISE SPECIFIED
ALL DIMENSIONS INCLUDE
FINISHES AND ARE IN INCHES

TOLERANCES: FRACTIONS $\pm 1/16"$
ANGLES $\pm 1/2$ DEG.
DECIMALS $\pm .010"$

MATERIAL:

TOLERANCES DO NOT APPLY
TO RAW MATERIAL



CONFIDENTIAL

This document and the information contained herein is the confidential trade secret property of Sabre Communications Corporation ("Sabre") and must not be reproduced, copied or used, in whole or in part, for any purpose without the prior written consent of Sabre.

© 2006 Sabre Communications Corporation. All rights reserved.

6 ON 6
10 FT. WAVEGUIDE LADDER
STACKER KIT (4 RUNGS)
(FOR 8 HOLE RUNG - 7/16 ϕ & 3/4 ϕ)

REV	DATE	DRW/CHK	DESCRIPTION
1	06/26/06	WRF/WMN	ADDED ISOMETRIC VIEW

DATE	08/20/03	SIZE	B	DRAWING NO.	C20129009	REV	1
DRAWN BY	KLE	SCALE	None	PAGE	1 OF 1	CHECKED BY	DLW