

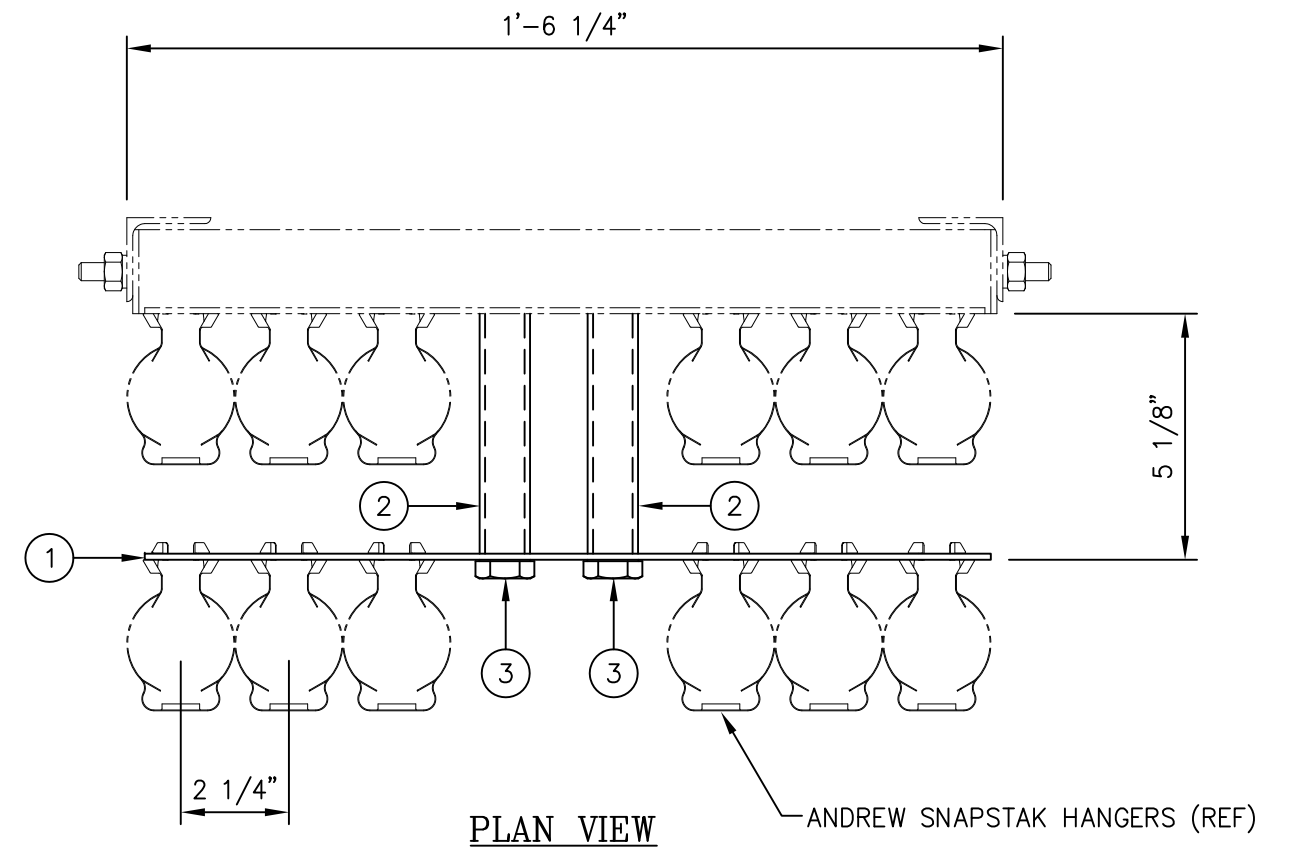
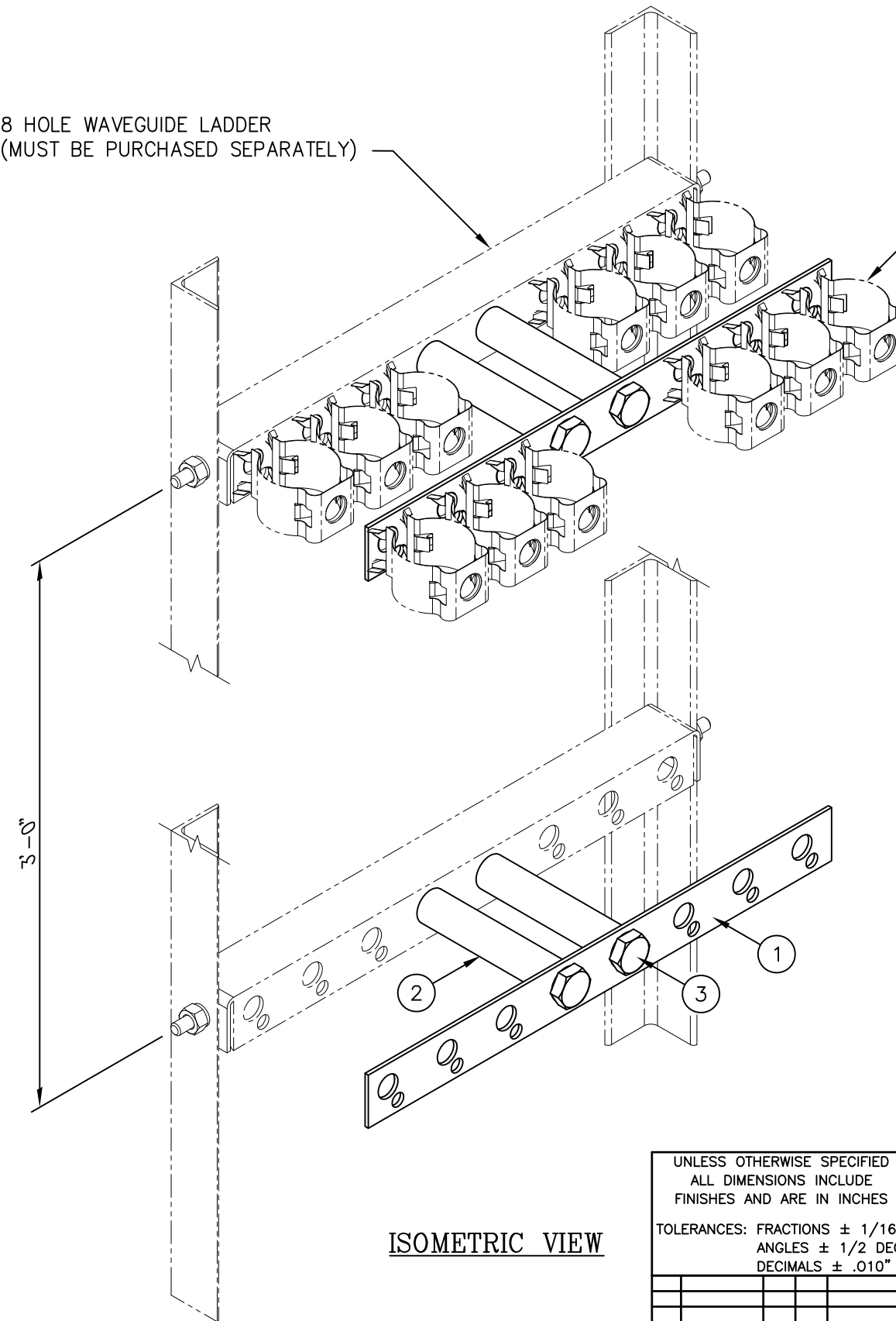


C20129010 6 ON 6 STACKER KIT (7 RUNGS)

ITEM	QTY.	PART NO.	DESCRIPTION	WEIGHT
1.	7	CS00152	8 HOLE WAVEGUIDE LADDER STACKER PLATE	8
2.	14	CS00154	PIPE, SPACER 3/4 $\phi$ NOM. (SCH. 40) X 0'-5	7
3.	14	C40026038	BOLT ASSEMBLY, 5/8 $\phi$ X 6 1/2 A325	15
TOTAL WEIGHT				30

8 HOLE WAVEGUIDE LADDER  
(MUST BE PURCHASED SEPARATELY)

STANDOFF CAN SUPPORT AN  
ADDITIONAL SIX LINES PER LADDER



**FIELD NOTE:**

THIS WAVEGUIDE STANDOFF ASSEMBLY IS NOT TO BE USED AS A CLIMBING APPARATUS.

ISOMETRIC VIEW

UNLESS OTHERWISE SPECIFIED  
ALL DIMENSIONS INCLUDE  
FINISHES AND ARE IN INCHES

TOLERANCES: FRACTIONS  $\pm 1/16''$   
ANGLES  $\pm 1/2$  DEG.  
DECIMALS  $\pm .010''$

MATERIAL:

TOLERANCES DO NOT APPLY  
TO RAW MATERIAL



**CONFIDENTIAL**

This document and the information contained herein is the confidential trade secret property of Sabre Communications Corporation ("Sabre") and must not be reproduced, copied or used, in whole or in part, for any purpose without the prior written consent of Sabre.

© 2006 Sabre Communications Corporation. All rights reserved.

6 ON 6  
20 FT. WAVEGUIDE LADDER  
STACKER KIT (7 RUNGS)  
(FOR 8 HOLE RUNG - 7/16  $\phi$  & 3/4  $\phi$ )

REV	DATE	DRW/CHK	DESCRIPTION
1	06/26/06	WRF/WMN	ADDED ISOMETRIC VIEW

DATE	08/20/03	SIZE	B	DRAWING NO.	C20129010	REV	1
DRAWN BY	KLE			SCALE	None	PAGE	
CHECKED BY	DLW					1 OF 1	