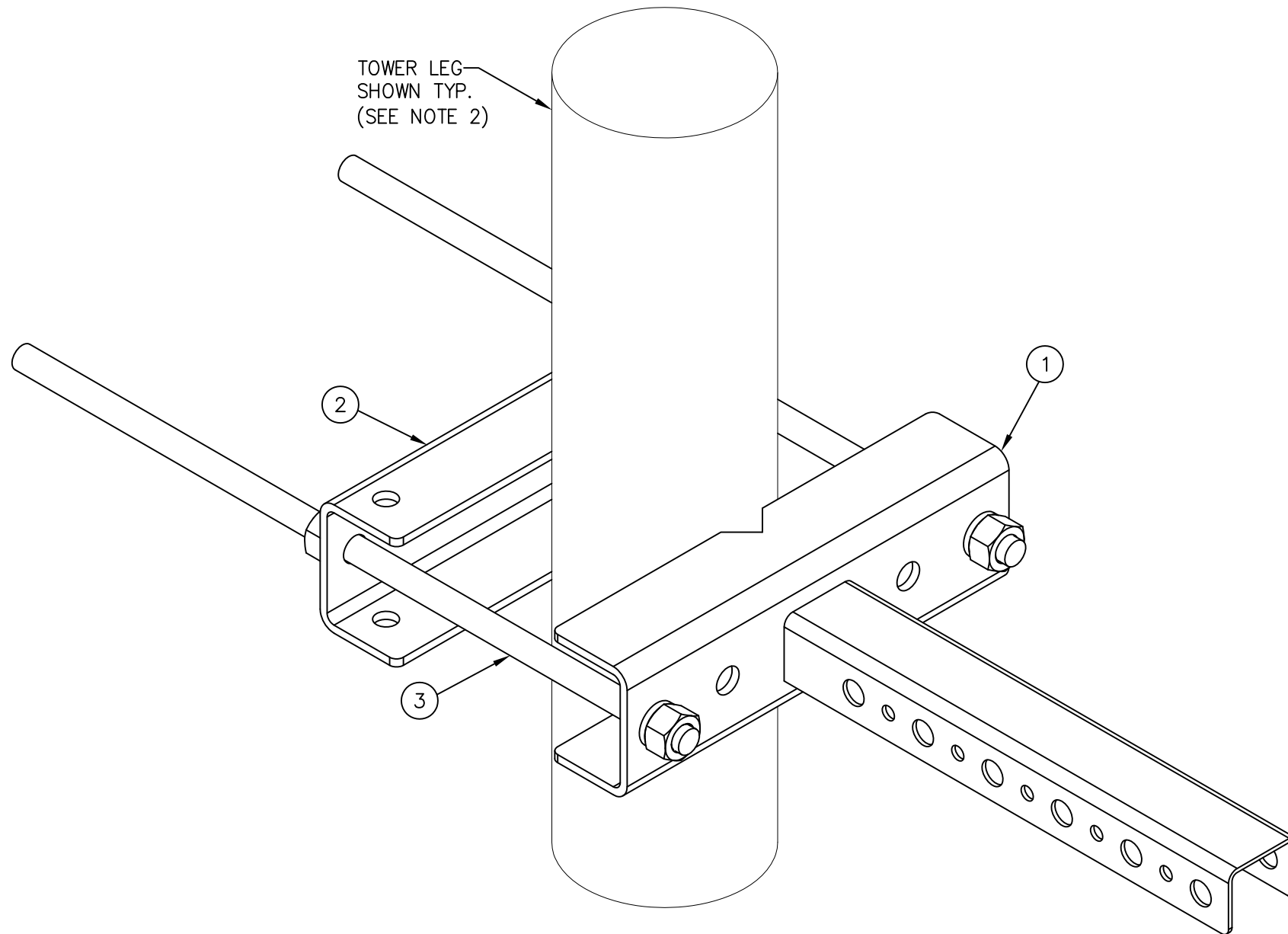




C20150101 LEG MOUNTED WAVEGUIDE SUPPORT KIT

ITEM	QTY.	PART NO.	DESCRIPTION	WEIGHT
1.	1	CW00523	WELDMENT, LEG MOUNTED WAVEGUIDE SUPPORT	13#
2.	1	CS01360	PLATE, MOUNTING BRACKET (FORMED CHANNEL)	9#
3.	2	C40094104	THREADED ROD ASSEMBLY, 3/4 ϕ X 24 A36	6#
TOTAL WEIGHT				28#

TOWER LEG
SHOWN TYP.
(SEE NOTE 2)



ISOMETRIC VIEW

NOTES:

1. QUANTITIES SHOWN IN THE LIST OF MATERIAL ARE FOR ONE WAVEGUIDE SUPPORT KIT ONLY.
2. THIS WAVEGUIDE SUPPORT KIT WILL MOUNT TO THE FOLLOWING TOWER LEG SIZES:
 - 1 1/2" ϕ TO 10 3/4" ϕ ROUND LEG
 - L 2 1/2 X 2 1/2 TO L 8 X 8 ANGLE LEG

UNLESS OTHERWISE SPECIFIED
ALL DIMENSIONS INCLUDE
FINISHES AND ARE IN INCHES

TOLERANCES: FRACTIONS $\pm 1/16"$
ANGLES $\pm 1/2$ DEG.
DECIMALS $\pm .010"$

MATERIAL:

TOLERANCES DO NOT APPLY
TO RAW MATERIAL



CONFIDENTIAL
Information contained herein is the sole property of Sabre Communications Corporation, constitutes a trade secret as defined by Iowa Code Ch. 550 and shall not be reproduced, copied or used in whole or in part for any purpose whatsoever without prior written consent of Sabre Communications Corporation.

LEG MOUNTED WAVEGUIDE SUPPORT
(1 1/2" ϕ TO 10 3/4" ϕ ROUND LEG)
(2 1/2" X 2 1/2" TO 8" X 8" ANGLE LEG)

REV	DATE	DRW/CHK	DESCRIPTION

DATE	6/14/07	SIZE	B	DRAWING NO.	C20150101	REV	0
DRAWN BY	MLC	CHECKED BY	MC	SCALE	None	PAGE	1 OF 1