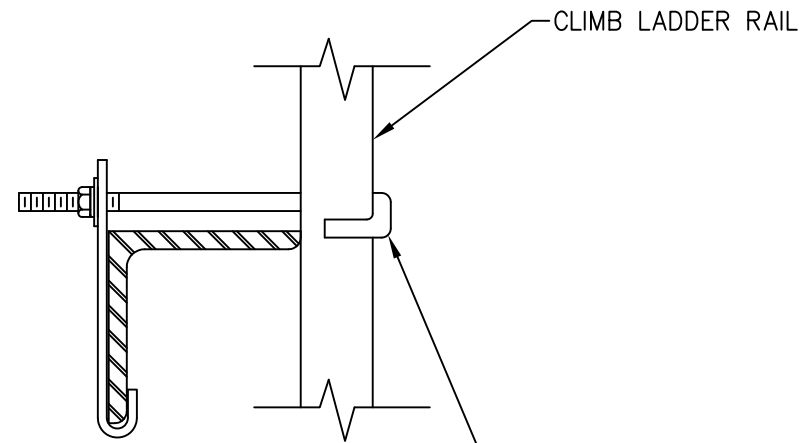
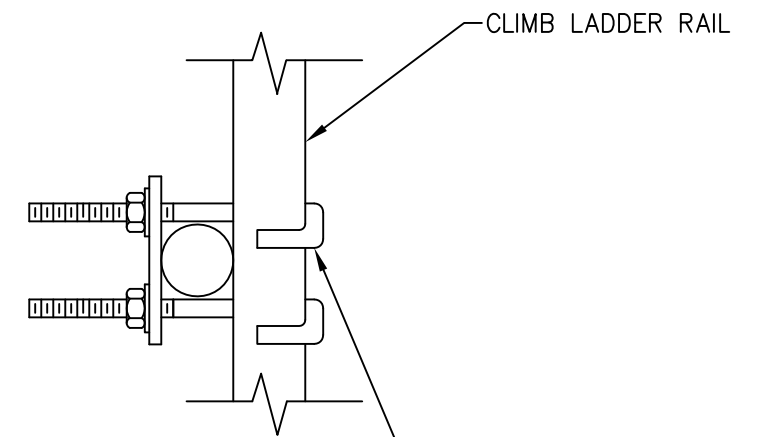


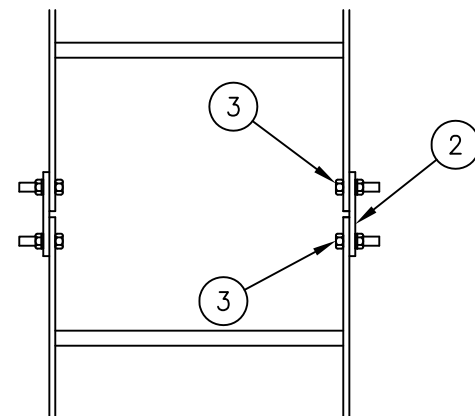
ELEVATION
(TYPICAL MOUNTING DETAIL)



SECTION A-A
(MOUNTING OPTION 1)
(FOR ANGLE LEGS 1 1/2" TO 6")



SECTION A-A
(MOUNTING OPTION 2)
(FOR ANGLE LEGS 3/4"φ TO 1 1/2"φ)



SPLICE DETAIL

NOTES:
MAXIMUM SPACING OF LADDER CLIPS
UP THE TOWER TO BE ±10'-0"

ITEM	PART NO.	QTY.	DESCRIPTION	WEIGHT
3	C40024004	4	BOLT ASSEMBLY, 3/8"φ X 1 1/2" GRADE 5	0.4#
2	CS0037	2	SPLICE PLATE	0.8#
TYPICAL HARDWARE & SPLICE INCLUDED WITH EACH LADDER				

ITEM	KIT NO.	PART NO.	QTY.	DESCRIPTION	WEIGHT
1	C30026004	CW0031	1	CLIMB LADDER WELDMENT, 20'-0"	74.7#
	C30026002	CW0029	1	CLIMB LADDER WELDMENT, 10'-0"	37.4#
	C30026001	CW0028	1	CLIMB LADDER WELDMENT, 5'-0"	18.7#
CLIMB LADDERS					

UNLESS OTHERWISE SPECIFIED ALL DIMENSIONS INCLUDE FINISHES AND ARE IN INCHES		MATERIAL:	
TOLERANCES: FRACTIONS ± 1/16" ANGLES ± 1/2 DEG. DECIMALS ± .010"		TOLERANCES DO NOT APPLY TO RAW MATERIAL	
REV	DATE	DRW/CHK	DESCRIPTION



CONFIDENTIAL
This document and the information
contained herein is the confidential trade
secret property of Sabre Communications
Corporation ("Sabre") and must not be
reproduced, copied or used, in whole or in
part, for any purpose without the prior
written consent of Sabre.
© 2006 Sabre Communications Corporation.
All rights reserved.

CLIMB LADDERS			
DATE	1/16/01	SIZE	B
DRAWN BY	KLE	DRAWING NO.	C30026
CHECKED BY	BCT	SCALE	None
		REV	0
		PAGE	1 OF 1