

SMALL CELL  
**RADIO CAGES**



**verizon**<sup>✓</sup>

**Sabre Industries**<sup>®</sup>  
CAGE ORDER GUIDE

Sabre Industries

**SOLUTIONS**  
FOR WIRELESS COVERAGE AND CAPACITY

## TABLE OF CONTENTS

(COMPANY INTRODUCTION)	3
(S11AC Series - 22" W x 14.3" D x 30.3" H)	4
(S11AD Series - 23" W x 15" D x 40.3" H)	5
(S11AE Series - 22" W x 10" D x 48" H)	6
(S11AF Series - 24" W x 15" D x 45" H)	7
(S11AG Series - 30" W x 17" D x 38.4" H)	8
(S11AH Series - 34.5" W x 14.3" D x 30" H)	9
(S11AI Series - 16" W x 12.8" D x 30" H)	10
(S11AJ Series - 20.5" W x 16" D x 47" H)	11
(S11AK Series - 30" W x 16" D x 48" H)	12-13
(NATIONWIDE SALES CONTACTS)	14
(SABRE BENEFITS NOTE)	15



# SMALL CELL RADIO CAGES

## COMPANY INTRODUCTION

### TELECOM PRODUCTS

Sabre Industries is fully equipped to be capable of offering an end-to-end solution with both products and solutions to telecommunication customers across the United States. A leading provider of highly engineered products for wireless communications, we design and manufacture towers, antenna, tower accessories, modification components, and small cell and DAS infrastructure along with post-disaster recovery products. Our service group completes the solution by providing a full range of infrastructure services including site development, installation, integration, modifications, and maintenance. No matter what your needs may be, our increased capacity, diverse mix of infrastructure products and services, and industry leading design and engineering capabilities will provide you with a complete telecomm solution.

### SMALL CELL PRODUCTS

Sabre's radio cage products are engineered and designed for deployment scenarios where traditional pedestal conventional products are required.

- Designed for free or low cost they meet or exceed OEM dimensions/requirements for heat rejection
- Designed with hinged doors that can be lockable, and includes wind covers to support accessibility and security requirements
- Highly configurable, easy to install and can be painted to match most any color required



PART NUMBER:

**S11AC0001 - 22" W x 14.5" D x 30.3" H**

DESCRIPTION:

**2 mRRU (2x cMRO or 2x2203/5/8),  
BANDED MT**

**ITEMS INCLUDED WITH CAGES:**

Cage, internal equipment brackets and mount type as noted in description and shown on cutsheet.

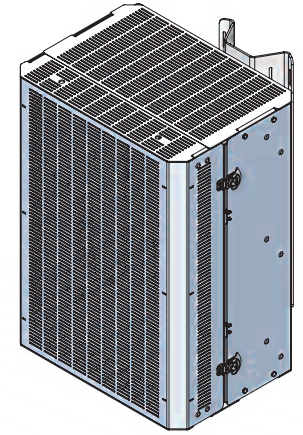
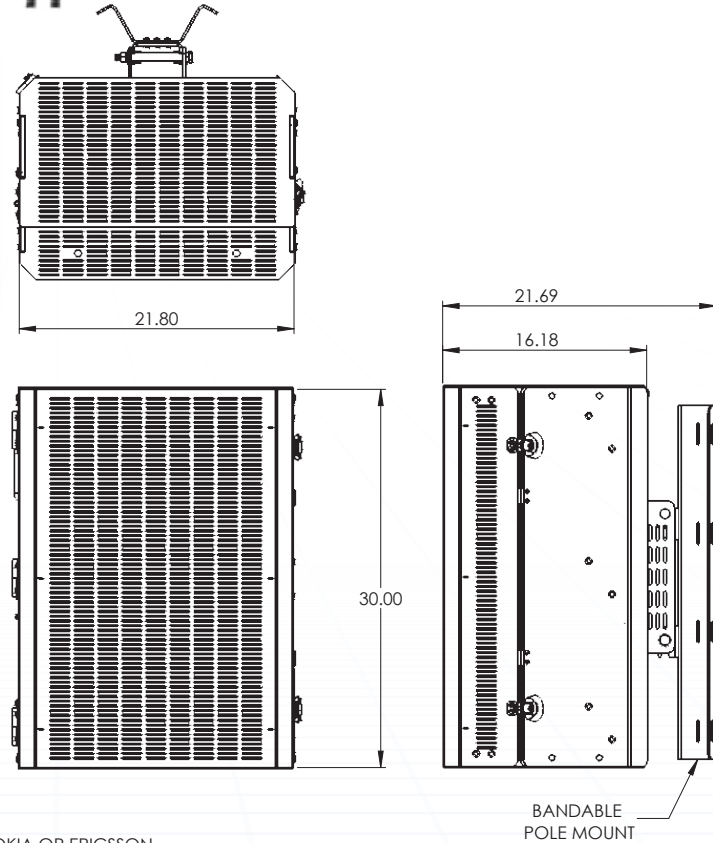
**REQUIRED INFORMATION FOR ORDERING:**

- Site name, site number and shipping location
- Part number and quantity
- Color code for standard colors listed. Custom colors available. Send requirements and we will evaluate to determine if minimum quantity or additional charges apply.

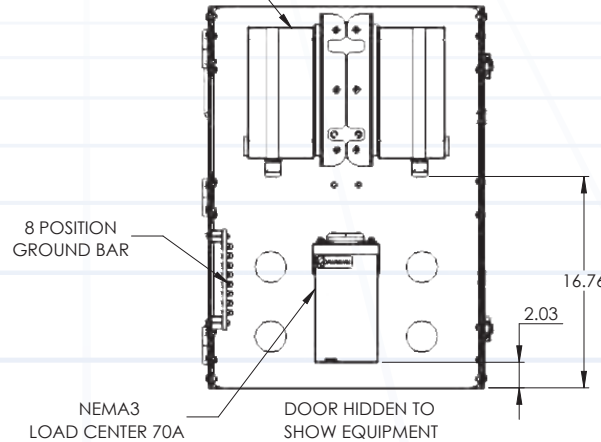
- Black = PT00334
- Black - Semi Gloss = PT00543
- Traffic Grey = PT00546
- Agate Grey = PT00521
- Silver Matte (Aluminum) = PT00373
- Medusa Grey (Concrete) = PT00422
- National Park Brown = PT00545
- Green = PT00387
- Bronze = PT00518

**NEW CONFIGURATIONS AVAILABLE:**

Provide complete equipment list and Sabre will review for fit and thermal performance. If acceptable, Sabre will submit to Verizon Maintenance Engineering for review and approval. Part number and pricing will be provided after approval received.



NOKIA OR ERICSSON  
SMALL CELL RADIO (2X)



**CONSTRUCTION:**

- 5000 SERIES ALUMINUM W/  
CARBON STEEL BRACKETS

**PAINT:**

- POWDER COAT  
(COLOR CUSTOMER SPECIFIED)

**MOUNT INCLUDED:**

- BANDED

**OTHER MOUNT OPTIONS AVAILABLE:**

- COMBINED (BANDED,  
THRU- BOLTED, OFFSET)
- U-BOLT

**EMPTY WEIGHT:**

- 87 lbs.

**POPULATED WEIGHT:**

- 125.3 lbs.

PART NUMBER:

**S11AD0001 - 23" W x 15" D x 46.5" H**

**DESCRIPTION:**

**5 RRU (4x 2203's, 1x B13)  
OR 6 RRU  
(6x 2203's), COMBINED MT**

**ITEMS INCLUDED WITH CAGES:**

Cage, internal equipment brackets and mount type as noted in description and shown on cutsheet.

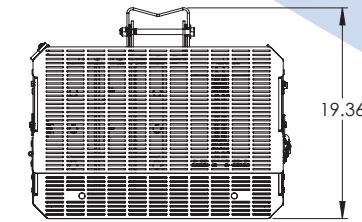
**REQUIRED INFORMATION FOR ORDERING:**

- Site name, site number and shipping location
- Part number and quantity
- Color code for standard colors listed. Custom colors available. Send requirements and we will evaluate to determine if minimum quantity or additional charges apply.

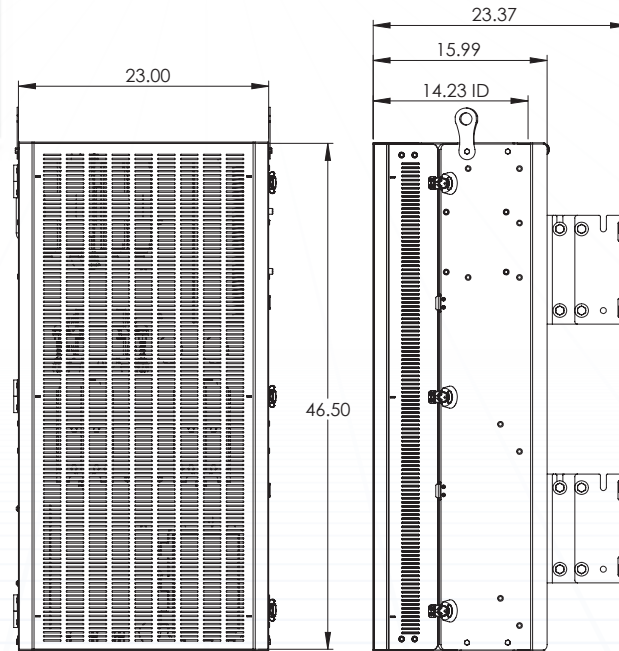
- Black = PT00334
- Black - Semi Gloss = PT00543
- Traffic Grey = PT00546
- Agate Grey = PT00521
- Silver Matte (Aluminum) = PT00373
- Medusa Grey (Concrete) = PT00422
- National Park Brown = PT00545
- Green = PT00387
- Bronze = PT00518

**NEW CONFIGURATIONS AVAILABLE:**

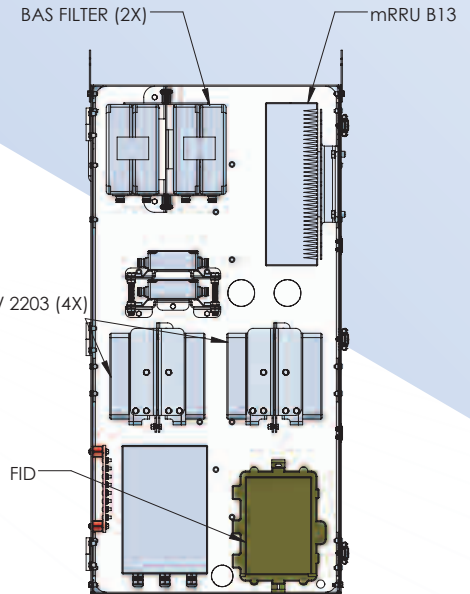
Provide complete equipment list and Sabre will review for fit and thermal performance. If acceptable, Sabre will submit to Verizon Maintenance Engineering for review and approval. Part number and pricing will be provided after approval received.



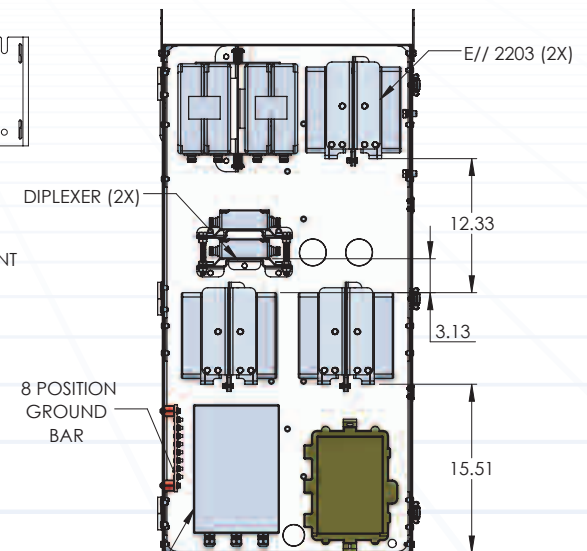
THIS VIEW SHOWN WITH POLE MOUNT IN "FLUSH" POSITION



THIS VIEW SHOWN WITH POLE MOUNT IN "CLIMB SPACE" POSITION



**\*ERICSSON B13 CONFIGURATION\***



**\*ERICSSON mRRUS 2203 CONFIGURATION\***

**CONSTRUCTION:**

- 5000 SERIES ALUMINUM W/ CARBON STEEL BRACKETS

**PAINT:**

- POWDER COAT (COLOR CUSTOMER SPECIFIED)

**MOUNT INCLUDED:**

- COMBINED (BANDED, THRU- BOLTED, OFFSET)

**OTHER MOUNT OPTIONS AVAILABLE:**

- BANDED ONLY
- U-BOLT

**EMPTY WEIGHT:**

- 161 lbs.

**POPULATED WEIGHT:**

- 366 lbs. (B13 Config)
- 394 lbs. (6x 2203 Config)



PART NUMBER:

**S11AE0001 - 22" W x 15" D x 48" H**

DESCRIPTION:

**1x ALU B66A RRH4x45,  
NO MT**

**ITEMS INCLUDED WITH CAGES:**

Cage, internal equipment brackets and mount type as noted in description and shown on cutsheet.

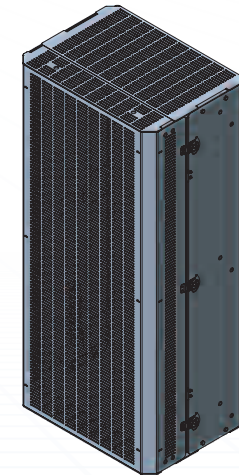
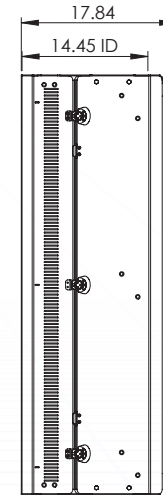
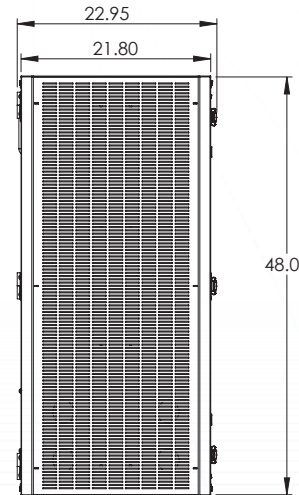
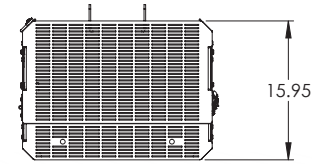
**REQUIRED INFORMATION FOR ORDERING:**

- Site name, site number and shipping location
  - Part number and quantity
  - Color code for standard colors listed. Custom colors available.
- Send requirements and we will evaluate to determine if minimum quantity or additional charges apply.

- Black = PT00334
- Black - Semi Gloss = PT00543
- Traffic Grey = PT00546
- Agate Grey = PT00521
- Silver Matte (Aluminum) = PT00373
- Medusa Grey (Concrete) = PT00422
- National Park Brown = PT00545
- Green = PT00387
- Bronze = PT00518

**NEW CONFIGURATIONS AVAILABLE:**

Provide complete equipment list and Sabre will review for fit and thermal performance. If acceptable, Sabre will submit to Verizon Maintenance Engineering for review and approval. Part number and pricing will be provided after approval received.



**CONSTRUCTION:**

- 5000 SERIES ALUMINUM W/  
CARBON STEEL BRACKETS

**PAINT:**

- POWDER COAT  
(COLOR CUSTOMER SPECIFIED)

**MOUNT INCLUDED:**

- NONE

**OTHER MOUNT OPTIONS AVAILABLE:**

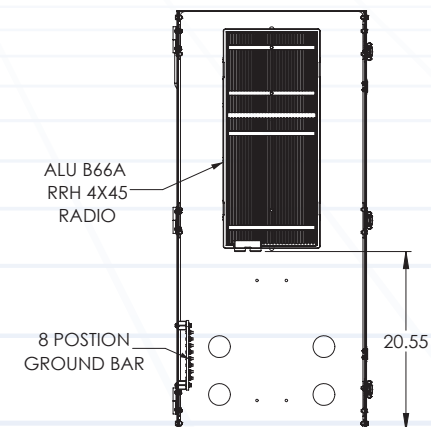
- BANDED ONLY
- COMBINED (BANDED, THRU- BOLTED, OFFSET)
- U-BOLT

**EMPTY WEIGHT:**

- 101 lbs.

**POPULATED WEIGHT:**

- 159 lbs.



PART NUMBER:

**S11AF0001 - 24" W x 15" D x 41" H**

DESCRIPTION:

**2x RRU32,  
COMBINED MT**

**ITEMS INCLUDED WITH CAGES:**

Cage, internal equipment brackets and mount type as noted in description and shown on cutsheet.

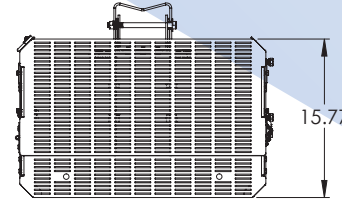
**REQUIRED INFORMATION FOR ORDERING:**

- Site name, site number and shipping location
- Part number and quantity
- Color code for standard colors listed. Custom colors available. Send requirements and we will evaluate to determine if minimum quantity or additional charges apply.

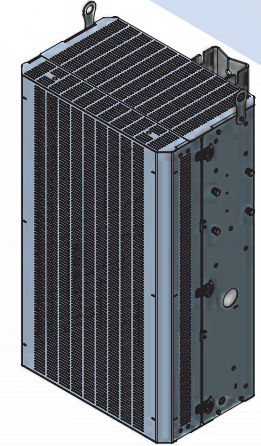
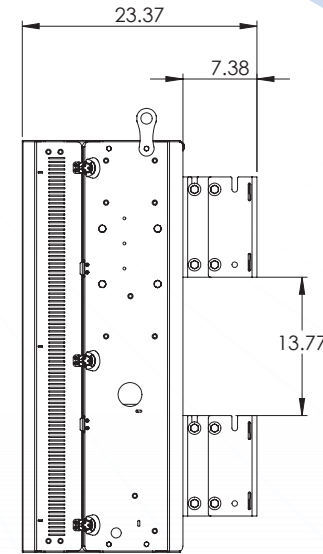
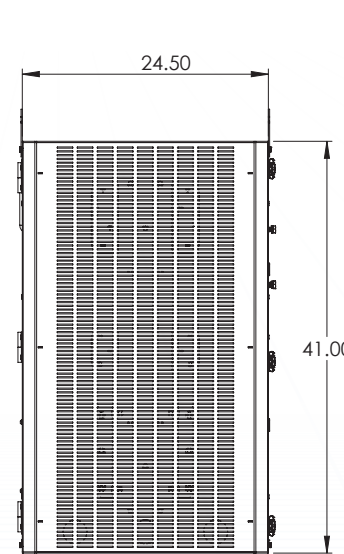
- Black = PT00334
- Black - Semi Gloss = PT00543
- Traffic Grey = PT00546
- Agate Grey = PT00521
- Silver Matte (Aluminum) = PT00373
- Medusa Grey (Concrete) = PT00422
- National Park Brown = PT00545
- Green = PT00387
- Bronze = PT00518

**NEW CONFIGURATIONS AVAILABLE:**

Provide complete equipment list and Sabre will review for fit and thermal performance. If acceptable, Sabre will submit to Verizon Maintenance Engineering for review and approval. Part number and pricing will be provided after approval received.



THIS VIEW SHOWN WITH POLE MOUNT IN "FLUSH" POSITION



THIS VIEW SHOWN WITH POLE MOUNT IN "CLIMB SPACE" POSITION

**CONSTRUCTION:**

- 5000 SERIES ALUMINUM W/ CARBON STEEL BRACKETS

**PAINT:**

- POWDER COAT (COLOR CUSTOMER SPECIFIED)

**MOUNT INCLUDED:**

- COMBINED (BANDED, THRU- BOLTED, OFFSET)

**OTHER MOUNT OPTIONS AVAILABLE:**

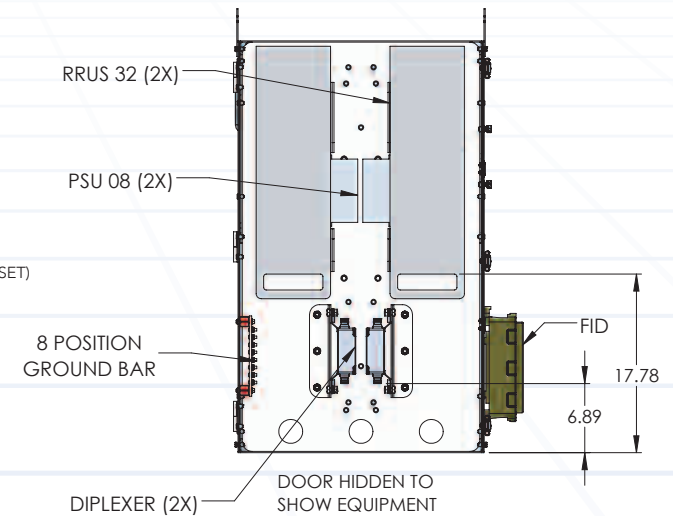
- U-BOLT

**EMPTY WEIGHT:**

- 135.3 lbs.

**POPULATED WEIGHT:**

- 285.5 lbs.



PART NUMBER:

**S11AG0001 - 50.3" W x 15" D x 36.3" H**

DESCRIPTION:

**2x RRUS32 AND 1x B13,  
THRU BOLT MT**

**ITEMS INCLUDED WITH CAGES:**

Cage, internal equipment brackets and mount type as noted in description and shown on cutsheet.

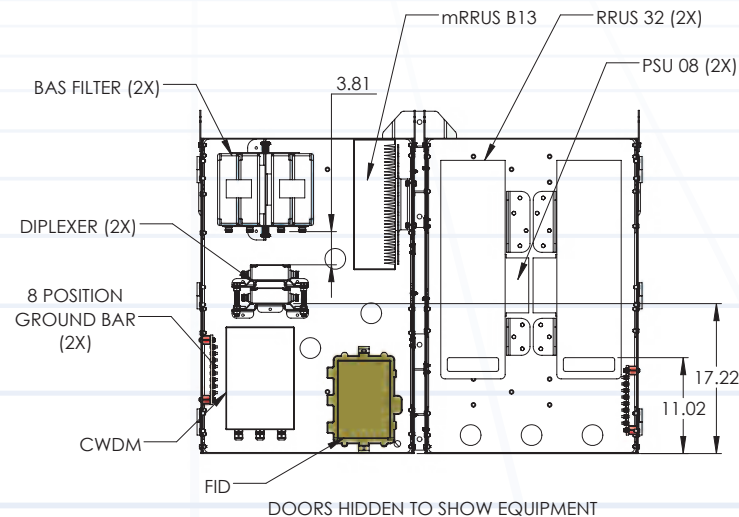
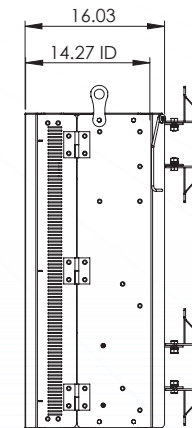
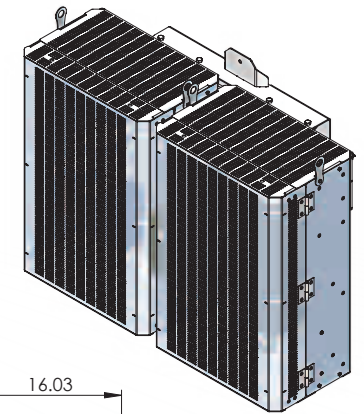
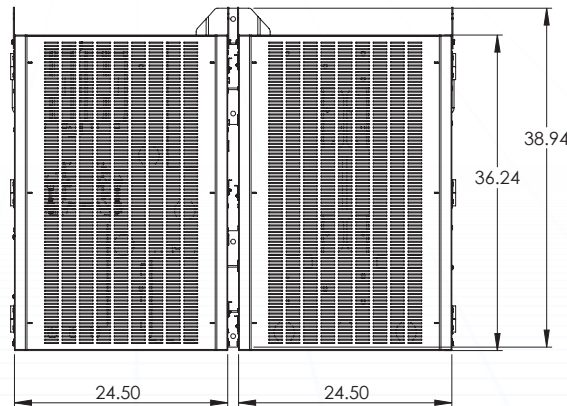
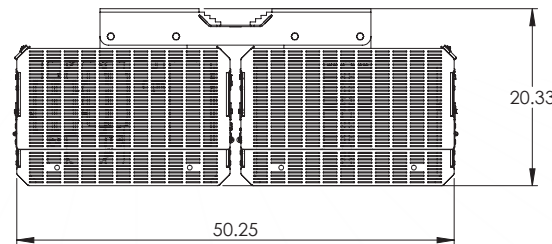
**REQUIRED INFORMATION FOR ORDERING:**

- Site name, site number and shipping location
- Part number and quantity
- Color code for standard colors listed. Custom colors available. Send requirements and we will evaluate to determine if minimum quantity or additional charges apply.

- Black = PT00334
- Black - Semi Gloss = PT00543
- Traffic Grey = PT00546
- Agate Grey = PT00521
- Silver Matte (Aluminum) = PT00373
- Medusa Grey (Concrete) = PT00422
- National Park Brown = PT00545
- Green = PT00387
- Bronze = PT00518

**NEW CONFIGURATIONS AVAILABLE:**

Provide complete equipment list and Sabre will review for fit and thermal performance. If acceptable, Sabre will submit to Verizon Maintenance Engineering for review and approval. Part number and pricing will be provided after approval received.



**CONSTRUCTION:**

- 5000 SERIES ALUMINUM W/ CARBON STEEL BRACKETS

**PAINT:**

- POWDER COAT (COLOR CUSTOMER SPECIFIED)

**MOUNT INCLUDED:**

- THRU-BOLT

**OTHER MOUNT OPTIONS AVAILABLE:**

- BANDED ONLY
- U-BOLT

**EMPTY WEIGHT:**

- 213.4 lbs.

**POPULATED WEIGHT:**

- 456.3 lbs.



PART NUMBER:

**S11AH0001 - 24.5" W x 14.3" D x 72" H**

**DESCRIPTION:**

**2x RRUS32 AND 1x RRU11,  
OFFSET THRU BOLT MT**

**ITEMS INCLUDED WITH CAGES:**

Cage, internal equipment brackets and mount type as noted in description and shown on cutsheet.

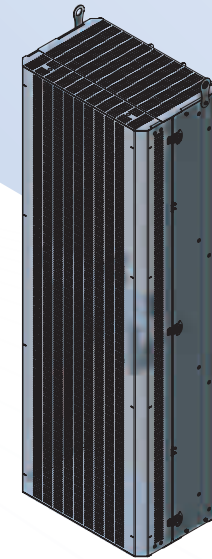
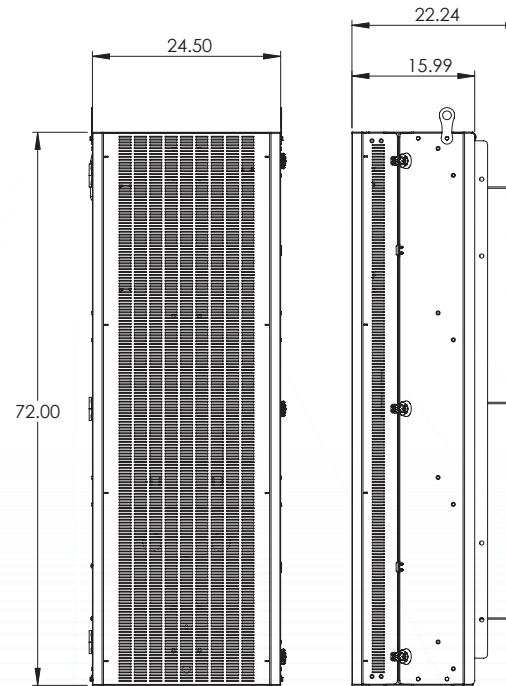
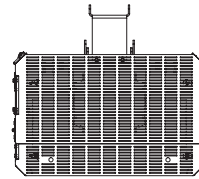
**REQUIRED INFORMATION FOR ORDERING:**

- Site name, site number and shipping location
- Part number and quantity
- Color code for standard colors listed. Custom colors available. Send requirements and we will evaluate to determine if minimum quantity or additional charges apply.

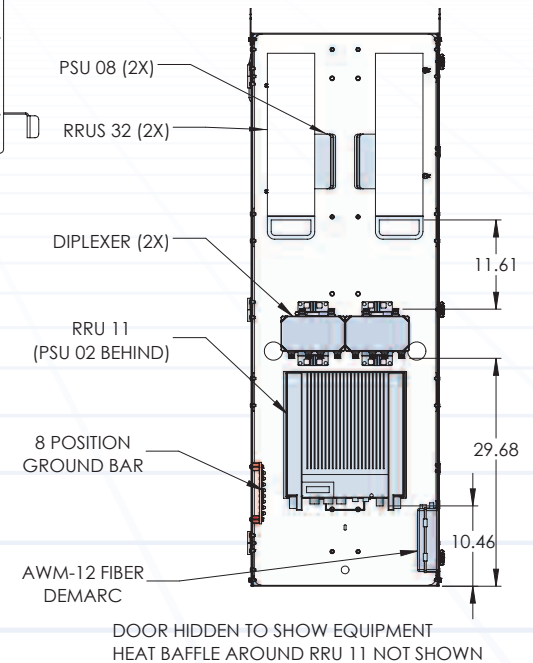
- |                           |           |
|---------------------------|-----------|
| • Black                   | = PT00334 |
| • Black - Semi Gloss      | = PT00543 |
| • Traffic Grey            | = PT00546 |
| • Agate Grey              | = PT00521 |
| • Silver Matte (Aluminum) | = PT00373 |
| • Medusa Grey (Concrete)  | = PT00422 |
| • National Park Brown     | = PT00545 |
| • Green                   | = PT00387 |
| • Bronze                  | = PT00518 |

**NEW CONFIGURATIONS AVAILABLE:**

Provide complete equipment list and Sabre will review for fit and thermal performance. If acceptable, Sabre will submit to Verizon Maintenance Engineering for review and approval. Part number and pricing will be provided after approval received.



- CONSTRUCTION:**
- 5000 SERIES ALUMINUM W/ CARBON STEEL BRACKETS
- PAINT:**
- POWDER COAT (COLOR CUSTOMER SPECIFIED)
- MOUNT INCLUDED:**
- OFFSET THRU BOLT
- OTHER MOUNT OPTIONS AVAILABLE:**
- BANDED
  - COMBINED (BANDED, THRU- BOLTED, OFFSET)
  - U-BOLT
- EMPTY WEIGHT:**
- 199 lbs.
- POPULATED WEIGHT:**
- 337 lbs.



PART NUMBER:

**S11AI0001 - 16" W x 12.5" D x 70" H**

DESCRIPTION:

**1x ALU B66A RRH4X45,  
COMBINED MT**

**ITEMS INCLUDED WITH CAGES:**

Cage, internal equipment brackets and mount type as noted in description and shown on cutsheet.

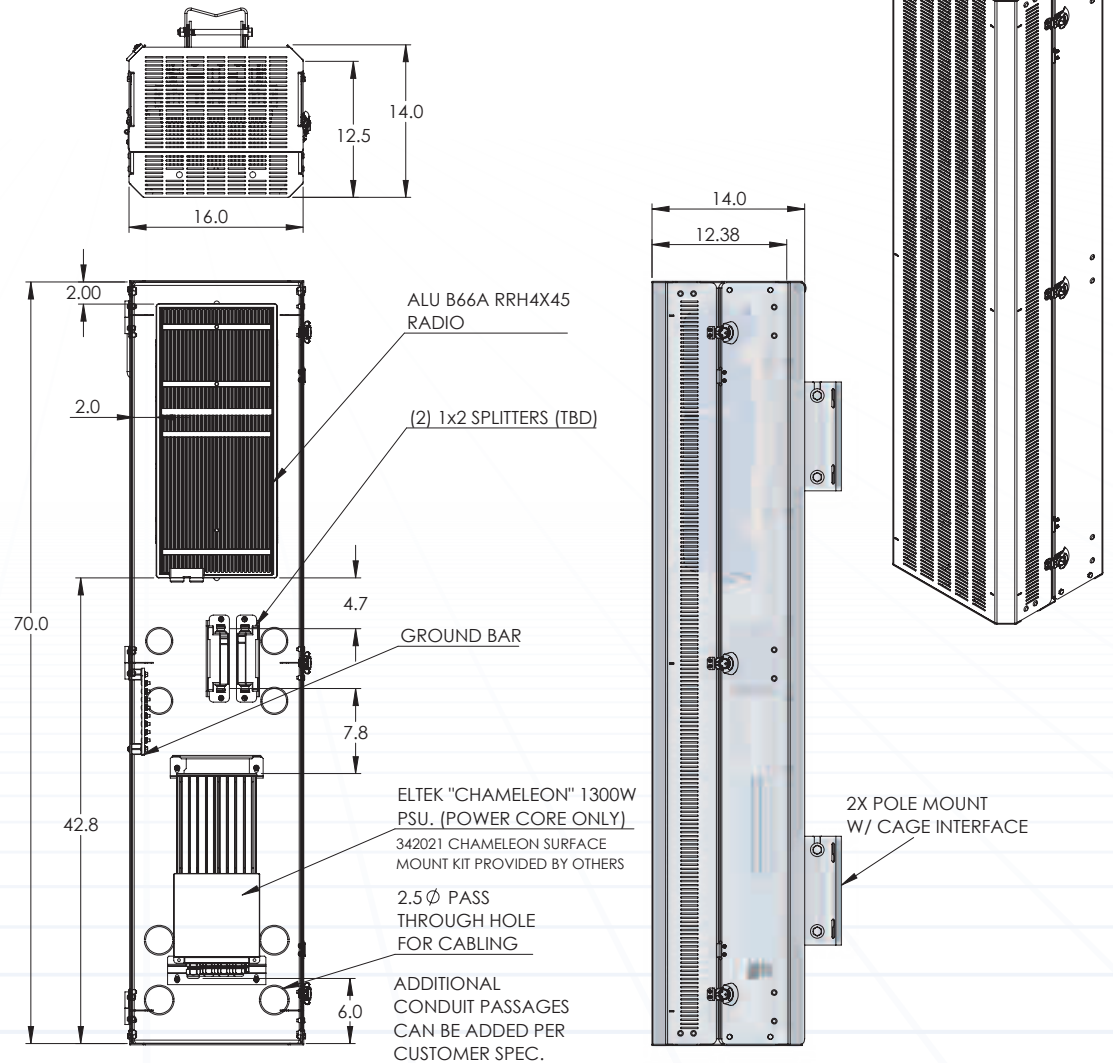
**REQUIRED INFORMATION FOR ORDERING:**

- Site name, site number and shipping location
- Part number and quantity
- Color code for standard colors listed. Custom colors available. Send requirements and we will evaluate to determine if minimum quantity or additional charges apply.

- |                           |           |
|---------------------------|-----------|
| • Black                   | = PT00334 |
| • Black - Semi Gloss      | = PT00543 |
| • Traffic Grey            | = PT00546 |
| • Agate Grey              | = PT00521 |
| • Silver Matte (Aluminum) | = PT00373 |
| • Medusa Grey (Concrete)  | = PT00422 |
| • National Park Brown     | = PT00545 |
| • Green                   | = PT00387 |
| • Bronze                  | = PT00518 |

**NEW CONFIGURATIONS AVAILABLE:**

Provide complete equipment list and Sabre will review for fit and thermal performance. If acceptable, Sabre will submit to Verizon Maintenance Engineering for review and approval. Part number and pricing will be provided after approval received.



**CONSTRUCTION:**

- 5000 SERIES ALUMINUM W/  
CARBON STEEL BRACKETS

**PAINT:**

- POWDER COAT  
(COLOR CUSTOMER SPECIFIED)

**MOUNT INCLUDED:**

- COMINGED (BANDED, THRU- BOLTED, OFFSET)

**OTHER MOUNT OPTIONS AVAILABLE:**

- U-BOLT

**EMPTY WEIGHT:**

- 94 lbs.

**POPULATED WEIGHT:**

- 187 lbs.

PART NUMBER:

**S11AN0003 - 20.5" W x 16" D x 67" H**

DESCRIPTION:

**DUAL AIRSCALE + 2x AIRSCALE MICRO, NO MOUNTS**

**ITEMS INCLUDED WITH CAGES:**

Cage, internal equipment brackets and mount type as noted in description and shown on cutsheet.

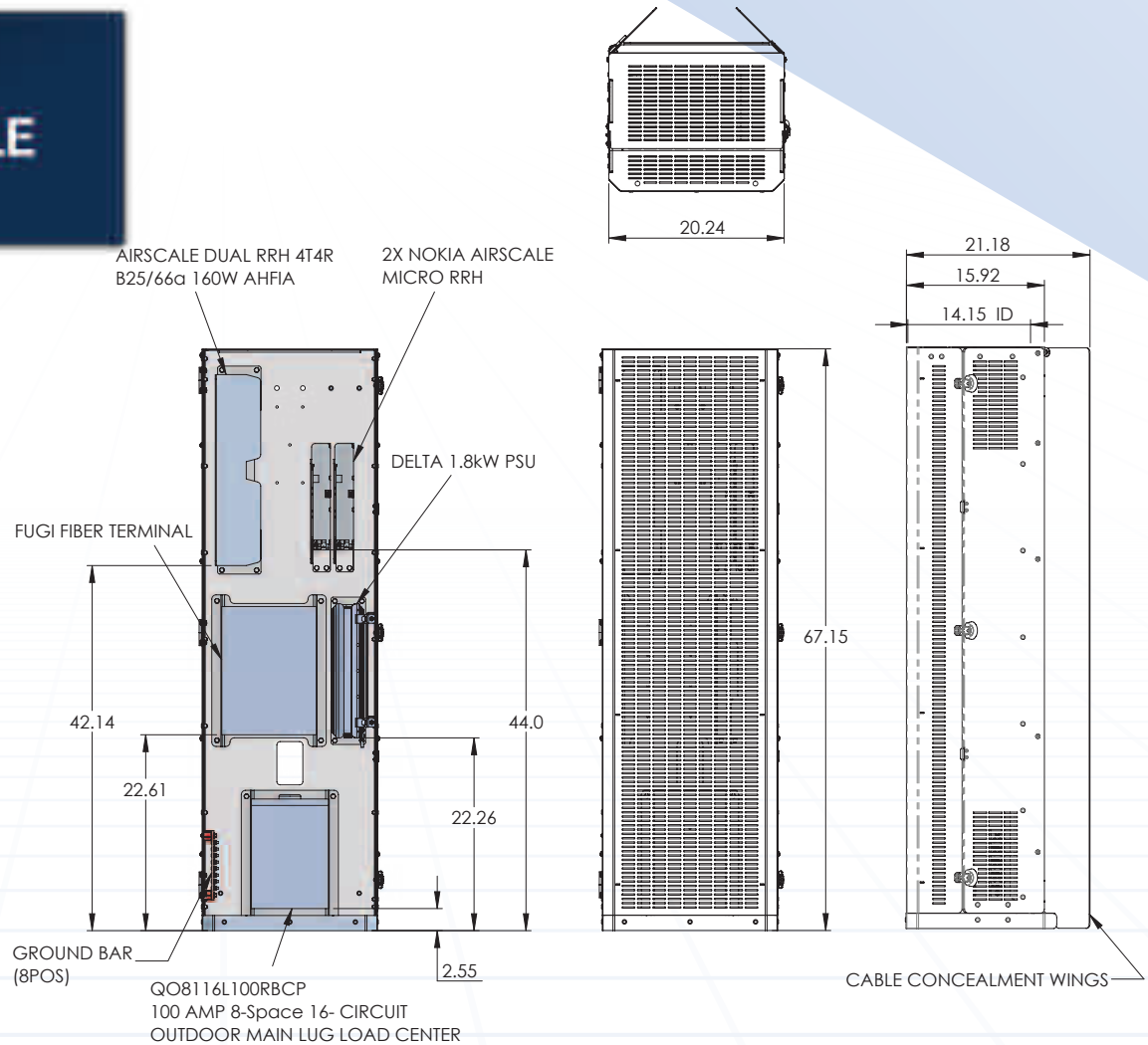
**REQUIRED INFORMATION FOR ORDERING:**

- Site name, site number and shipping location
- Part number and quantity
- Color code for standard colors listed. Custom colors available. Send requirements and we will evaluate to determine if minimum quantity or additional charges apply.

- Black = PT00334
- Black - Semi Gloss = PT00543
- Traffic Grey = PT00546
- Agate Grey = PT00521
- Silver Matte (Aluminum) = PT00373
- Medusa Grey (Concrete) = PT00422
- National Park Brown = PT00545
- Green = PT00387
- Bronze = PT00518

**NEW CONFIGURATIONS AVAILABLE:**

Provide complete equipment list and Sabre will review for fit and thermal performance. If acceptable, Sabre will submit to Verizon Maintenance Engineering for review and approval. Part number and pricing will be provided after approval received.



**CONSTRUCTION:**

- 5000 SERIES ALUMINUM W/ CARBON STEEL BRACKETS

**PAINT:**

- POWDER COAT (COLOR CUSTOMER SPECIFIED)

**STANDARD MOUNT OPTION AVAILABLE:**

- COMBINED (BANDED, THRU- BOLTED, OFFSET)

**OTHER MOUNT OPTIONS AVAILABLE:**

- U-BOLT

**EMPTY WEIGHT:**

- 161 lbs.

**POPULATED WEIGHT:**

- 366 lbs. (B13 Config)
- 394 lbs. (6x 2203 Config)



PART NUMBER:

**S11AP0001 - 20" W x 16" D x 48" H**

DESCRIPTION:

**1X E//8843, 2X E//2203,  
COMBO MOUNT**

**ITEMS INCLUDED WITH CAGES:**

Cage, internal equipment brackets and mount type as noted in description and shown on cutsheet.

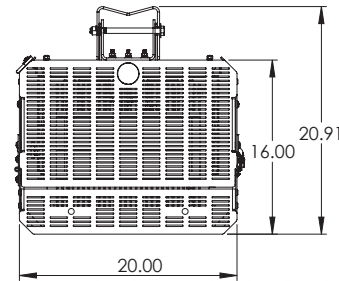
**REQUIRED INFORMATION FOR ORDERING:**

- Site name, site number and shipping location
- Part number and quantity
- Color code for standard colors listed. Custom colors available. Send requirements and we will evaluate to determine if minimum quantity or additional charges apply.

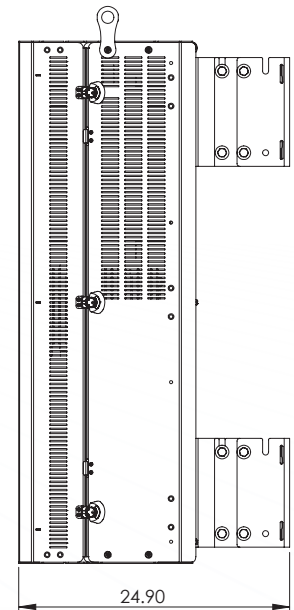
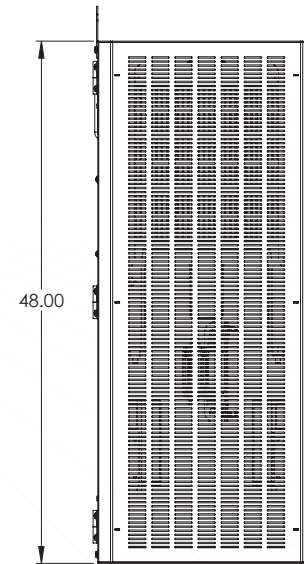
- Black = PT00334
- Black - Semi Gloss = PT00543
- Traffic Grey = PT00546
- Agate Grey = PT00521
- Silver Matte (Aluminum) = PT00373
- Medusa Grey (Concrete) = PT00422
- National Park Brown = PT00545
- Green = PT00387
- Bronze = PT00518

**NEW CONFIGURATIONS AVAILABLE:**

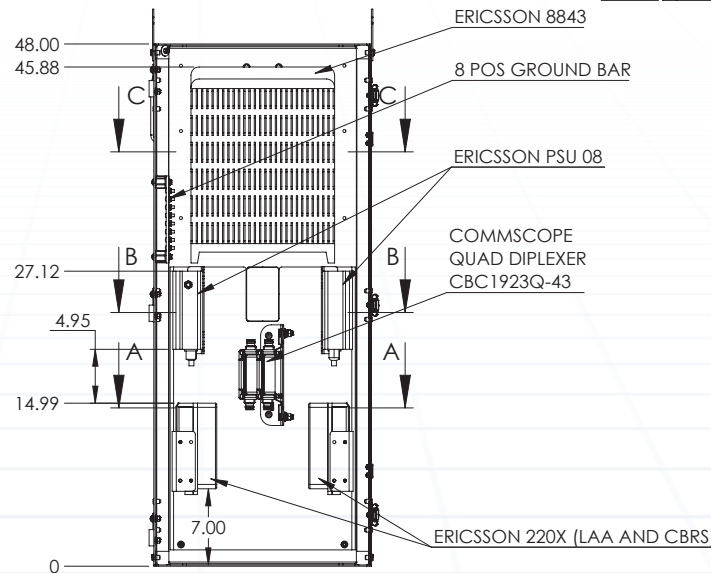
Provide complete equipment list and Sabre will review for fit and thermal performance. If acceptable, Sabre will submit to Verizon Maintenance Engineering for review and approval. Part number and pricing will be provided after approval received.



SHOWN IN FLUSH MOUNT POSITION



SHOWN IN CLIMB SPACE POSITION



DOOR HIDDEN FOR CLARITY

**CONSTRUCTION:**

- 5000 SERIES ALUMINUM W/  
CARBON STEEL BRACKETS

**PAINT:**

- POWDER COAT  
(COLOR CUSTOMER SPECIFIED)

**MOUNT OPTIONS AVAILABLE:**

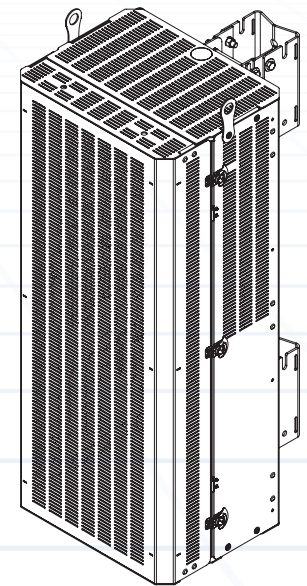
- COMBINED (BANDED, THRU- BOLTED, OFFSET)

**EMPTY WEIGHT:**

- 94.2 lbs.

**POPULATED WEIGHT:**

- 214.4 lbs.



PART NUMBER:

**S11AP0002 - 20" W x 16" D x 48" H**

**DESCRIPTION:**

**1X E//8843, 1X  
E//6302, COMBO MOUNT**

**ITEMS INCLUDED WITH CAGES:**

Cage, internal equipment brackets and mount type as noted in description and shown on cutsheet.

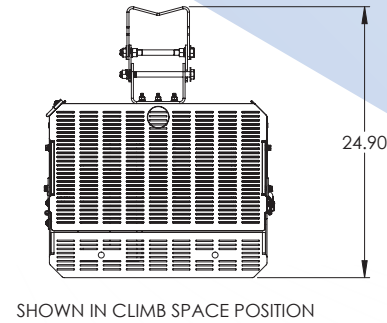
**REQUIRED INFORMATION FOR ORDERING:**

- Site name, site number and shipping location
- Part number and quantity
- Color code for standard colors listed. Custom colors available. Send requirements and we will evaluate to determine if minimum quantity or additional charges apply.

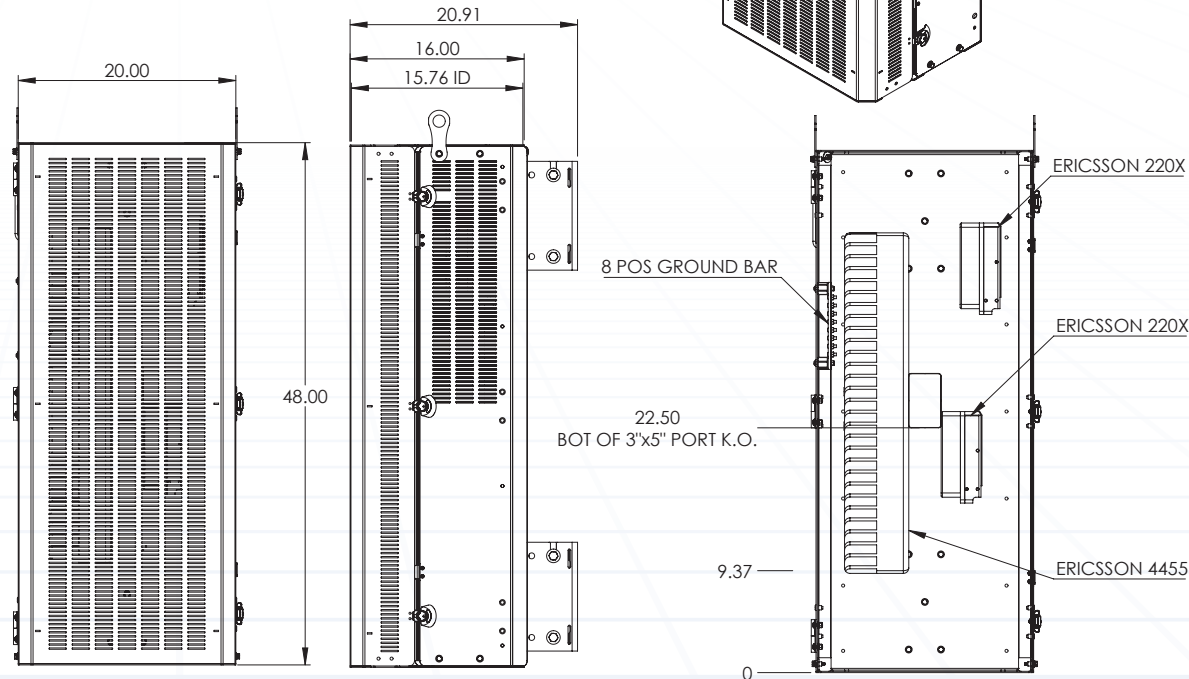
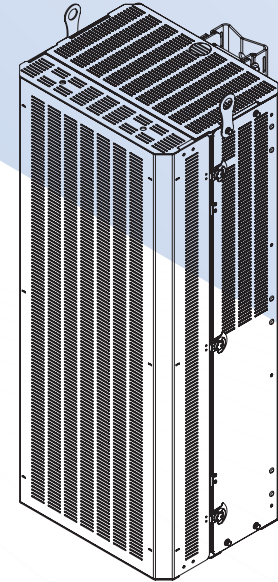
- |                           |           |
|---------------------------|-----------|
| • Black                   | = PT00334 |
| • Black - Semi Gloss      | = PT00543 |
| • Traffic Grey            | = PT00546 |
| • Agate Grey              | = PT00521 |
| • Silver Matte (Aluminum) | = PT00373 |
| • Medusa Grey (Concrete)  | = PT00422 |
| • National Park Brown     | = PT00545 |
| • Green                   | = PT00387 |
| • Bronze                  | = PT00518 |

**NEW CONFIGURATIONS AVAILABLE:**

Provide complete equipment list and Sabre will review for fit and thermal performance. If acceptable, Sabre will submit to Verizon Maintenance Engineering for review and approval. Part number and pricing will be provided after approval received.



SHOWN IN CLIMB SPACE POSITION



SHOWN IN FLUSH MOUNT POSITION

DOOR HIDDEN FOR CLARITY

**CONSTRUCTION:**

- 5000 SERIES ALUMINUM  
W/ CARBON STEEL BRACKETS

**PAINT:**

- POWDER COAT  
(COLOR CUSTOMER SPECIFIED)

**MOUNT INCLUDED:**

- COMBINED (BANDED, THRU- BOLTED, OFFSET)

**EMPTY WEIGHT:**

- 90 lbs.

**POPULATED WEIGHT:**

- 171 lbs.

## WESTERN REGION

**Joe Moscola**

C: (702) 596-1908

E: jmoscola@sabreindustries.com

*Inside Sales*

**Rolli Sexton**

C: (712) 204-1767

E: rssexton@sabreindustries.com

## CENTRAL REGION

**Tim Hornbeck**

C: (712) 204-4626

E: tjhornbeck@sabreindustries.com

*Inside Sales*

**Jay Chadwick**

C: (712) 253-9033

E: jachadwick@sabreindustries.com

## NORTHEAST REGION

**Ray Vernon**

C: (712) 389-2781

E: rvernon@sabreindustries.com

*Inside Sales*

**Josh Schlessor**

C: (712) 389-2428

E: jdschlessor@sabreindustries.com

## SOUTH REGION

**Brad Lowe**

C: (318) 458-6368

E: blowe@sabreindustries.com

*Inside Sales*

**Jay Chadwick**

C: (712) 253-9033

E: jachadwick@sabreindustries.com

## SOUTHEAST REGION

**Mike Checchio**

C: (407) 808-1099

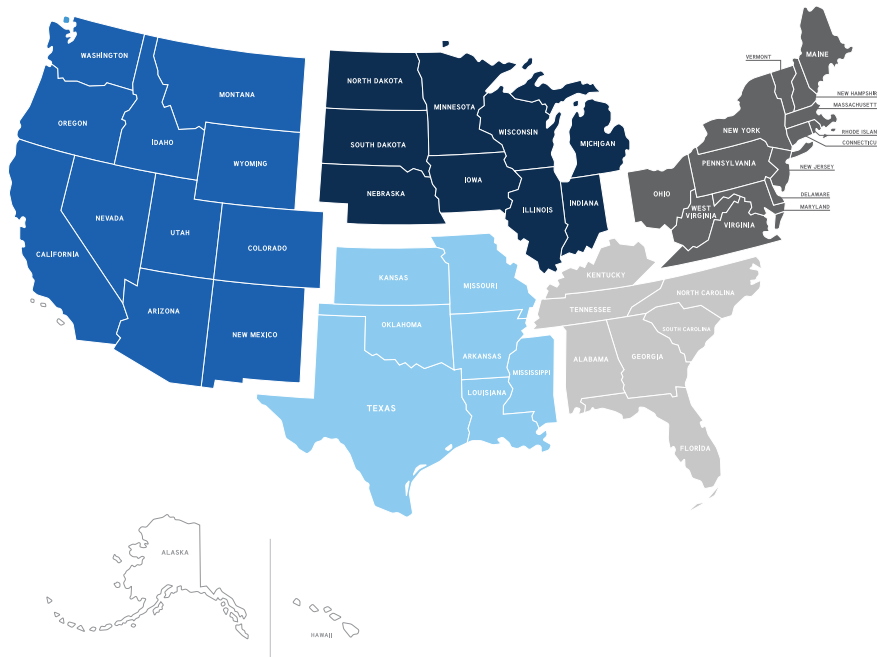
E: mchecchio@sabreindustries.com

*Inside Sales*

**Josh Schlessor**

C: (712) 389-2428

E: jdschlessor@sabreindustries.com



## SVP OF TELECOM SALES

**Mike Coghlan**

C: (712) 898-9880

E: mpcoghlan@sabreindustries.com

## SALES OPERATIONS MANAGER

**Chad Peters**

C: (712) 490-1980

E: cjpeters@sabreindustries.com

## COMPONENTS PRODUCT MANAGER

**Jake Robinson**

C: (402) 922-0072

E: jjrobinson@sabreindustries.com

## SMALL CELL PRODUCT MANAGER

**Sam Rodriguez**

C: (512) 721-6280

E: srodriguez@sabreindustries.com

## INTERNATIONAL

**Manuel de la Rocha**

C: (809) 683-5242

E: mdelarocha@sabreindustries.com

SMALL CELL  
**RADIO CAGES**

**NATIONWIDE  
SALES CONTACTS**

## GOVERNMENT/RENEWABLE

**Heath Peterson – Government**

C: (712) 577-1227

E: hgpeteron@sabreindustries.com

## Andy VanRoekel - Renewable

C: (712) 899-0908

E: amvanroekel@sabreindustries.com

## BROADCAST

**Terry Becht**

C: (512) 667-4034

E: tbecht@sabreindustries.com

## ENERGY STORAGE

**James Friend**

C: (816) 665-2015

E: jfriends@sabreindustries.com

## Jon Maule

C: (607) 821-8905

E: jmaule@sabreindustries.com

**Sabre Industries**



## COMPETITIVE ADVANTAGES



- **SCALE** – We leverage economies of scale to drive unit costs down
- **VARIETY** – We offer a great variety of products and services that lead to our efficiencies such as Speed to Market
- **KNOW HOW** – The skills, abilities and experience of our employees are a critical factor in our creative solutions
- **PROCESSES** – Our efficient operational processes lend to getting things done faster, and per schedule
- **ORGANIZATIONAL CULTURE** – We embrace aggressive innovation which ties to our core values
- **CAPITAL** – Our access to deeper financial resources give us a major advantage in this capital-intensive Wireless Space
- **RISK MANAGEMENT** – We have the ability to optimize risk-reward by identifying and controlling probabilities
- **QUALITY** – we are committed to providing products and services that meet or exceed all customer requirements and applicable standards and specifications
- **INNOVATION** – We have the ability to develop new approaches that represent a leap forward in the Wireless Industry
- **CUSTOMER SATISFACTION** – We have the ability to consistently please our customers by dedicating time and effort towards strategies that always puts our customers first

NOTES

Sabre Industries™

Sabre Industries

Sabre Industries, Inc.  
700 Southridge Drive  
West City, Iowa 51111  
515.228.6000  
800.368.6995

[www.sabreindustries.com](http://www.sabreindustries.com)